

VIPER[®]

480XV Model

Installation Guide

driven to excel
Directed[®]
ELECTRONICS, INC.

© 2005 Directed Electronics, Inc. Vista, CA
N480V 04-05

Important! The Viper 480XV system is designed to be installed in any petrol or common rail diesel vehicle with a 12-volt battery.



The Bitwriter® (p/n 998T) requires chip version 2.1 or newer to program this unit.

Bitwriter®, Clifford®, Code-Hopping®, Directed®, Doubleguard®, ESP®, FailSafe®, Ghost Switch™, Learn Routine™, Nite-Lite®, Nuisance Prevention®, Revenger®, Silent Mode™, Soft Chirp®, Stealth Coding™, Stinger®, Valet®, Vehicle Recovery System™, VRS®, and Warn Away® are all Trademarks or Registered Trademarks of Directed Electronics, Inc.

Table of Contents

Primary Harness (H1) Wire Connection Guide	5
Primary Harness Wiring Diagram	5
Primary Harness Wiring Instructions	5
pigtail harness wire connection guide	9
Auxiliary Harness Wire Connection Guide	10
Auxiliary Harness Wiring Diagram	10
Auxiliary Harness Wiring Instructions	10
Door Lock Harness Wire Connection Guide	12
Relay Harness Wiring Diagram	12
Identifying the Door Lock System	13
Type A: Positive-Triggered, Relay-Driven System	14
Type B: Negative-Triggered, Relay-Driven System	15
Type C: Reversing Polarity System	16
Type D: After-Market Actuators	18
Type E: Mercedes-Benz and Audi (1985 and newer).....	18
Type F: One-Wire System.....	19
Type G: Positive (+) Multiplex	20
Type H: Negative (-) Multiplex.....	22
Peripheral Plug-In Harnesses	23
Super Bright LED, 2-Pin WHITE Plug.....	23
Valet/Program Button, 2-Pin BLUE Plug	24
Programmer Interface, 3-Pin BLACK Plug	24
Mounting the Receiver/Antenna	24
Optional Sensors, 4-Pin White Plug x 2	25
Indicator Light Flash Jumper	25
Ultrasonic Sensor	26
Mounting the Control Module and Transducers	26
515ESP Self-Powered Smartsiren	27
Siren Installation Instructions	27
Autoimmobilisation Feature	28
Auto-immobilisation Sequence.....	28
Disarming the System when Immobilised	28
Bypassing Sensor Inputs	29
System Features Learn Routine	29
System Features Menus	32
Menu #1 - Basic Features	32
Menu #2 - Advanced Features.....	33
Menu #3 - Advanced Features.....	34
Bitwriter Features	34
Feature Descriptions	35
Menu #1 - Basic Features	35

Menu #2 - Advanced Features.....	36
Menu #3 - Advanced Features.....	38
Transmitter/Receiver Learn Routine	40
Transmitter Configurations.....	42
Standard Configuration.....	42
Ultrasonic Sensor Adjustment.....	43
Enter Ultrasonic Sensor Adjustment Mode	43
Adjusting the Ultrasonic Sensor Setting.....	43
Reset Ultrasonic Sensor to Default Setting.....	45
Diagnostics	46
Arm/Disarm Diagnostics.....	46
System Status Chirps.....	46
Table of Zones	46
Long Term Event History.....	47
Optional Vehicle Recovery System (VRS®)	47
Rapid Resume Logic	47
Certificate of Installation.....	48
Troubleshooting and System Testing.....	48
Checking arm/disarm.....	48
Testing disarming without a remote	48
Testing Ignition Trigger.....	48
Testing the Pin protection switch(es).....	48
The system will not arm or disarm.....	49
The Valet switch does not work	49
The status LED does not work	49
Closing the door triggers the system, but opening the door does not.....	49
System will not passively arm until it is remotely armed and then disarmed	49
Wiring Quick Reference Guide H1 & H2.....	50
Wiring Quick Reference Guide.....	51

Primary Harness (H1) Wire Connection Guide

Primary Harness Wiring Diagram

H1/1	ORANGE	Ground-When-Armed (-) Output
H1/2	BLACK	(-) Chassis Ground Input
H1/3	GREEN	(-) Door Trigger Input, Zone 3
H1/4	BLUE	(-) Boot Trigger Input, Zone 1
H1/5	VIOLET	(+) Door Trigger Input, Zone 3
H1/6	GREY	(-) Bonnet Trigger Input, Zone 6
H1/7	N/A	Not Used
H1/8	BROWN	(-) Horn Output
H1/9	WHITE/BLUE	Channel 3 (-) Output
H1/10	BROWN/BLACK	Unlock 87A (Normally Closed)
H1/11	WHITE 1	Indicator Light Flash Output
H1/12	WHITE 2	Indicator Light Flash Output
H1/13	BLACK/WHITE 2	Interior Light Illumination Output (30)
H1/14	BLACK/WHITE 1	(+) or (-) Interior Light Illumination Input (87)
H1/15	RED/WHITE	Channel 2 (-) Output
H1/16	VIOLET/BLACK	Lock 87 (Normally Open)
H1/17	GREEN/BLACK	Lock 30 (Common)
H1/18	WHITE/BLACK	Lock 87A (Normally Closed)
H1/19	VIOLET	Unlock 87 (Normally Open)
H1/20	BLUE/BLACK	Unlock 30 (Common)

Primary Harness Wiring Instructions

This guide describes in detail the connection of each wire. Also included are possible applications of each wire. This system was designed with the ultimate in flexibility and security in mind. Many of the wires have more than one possible function. Please read carefully to ensure a thorough understanding of this unit.

H1/1 ORANGE (-) ground-when-armed output

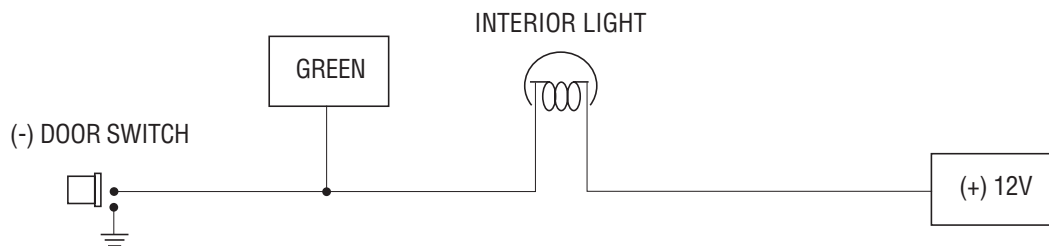
This wire supplies a (-) ground as long as the system is armed and will turn off when the system is disarmed. This wire does not provide a ground when AutoImmobilised only. This output can be used to control additional accessories such as window closers, voice modules or pagers.

H1/2 BLACK (-) chassis ground connection (see *Pigtail Harness Wire Connection Guide* section)

H1/3 GREEN (-) door trigger input

Most vehicles use negative door trigger circuits. Connect the GREEN wire to a wire showing ground when any door is opened. When connecting to newer model vehicles there is generally a need to use individual door triggers. This wire will report Zone 3 if triggered.

NOTE: If using a door trigger wire that has a delay, Advanced Menu 2, feature 6, or the 998T Bitwriter® can be used to turn Bypass Notification off.



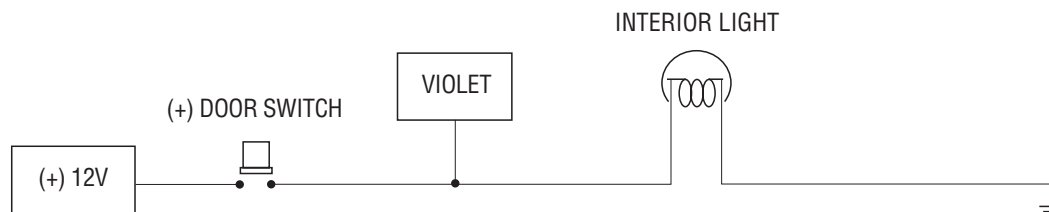
H1/4 BLUE (-) instant trigger input

This input will respond to a negative input with an instant trigger. It is ideal for boot pins and will report on Zone 1. It can also be used with Directed single-stage sensors. The wire can also be used to shunt sensors during operation of auxiliary channels or remote start. (See *Bypassing Sensor Inputs* section of this guide.)

H1/5 VIOLET (+) door trigger input

Connect this VIOLET wire to a wire that shows (+)12V when any door is opened. This wire will report Zone 3.

NOTE: If using a door trigger wire that has a delay, Advanced Menu 2, feature 6, or the 998T Bitwriter® can be used to turn Bypass Notification off.



H1/6 GREY (-) bonnet input - zone 6

Connect this wire to the bonnet pin switch. If the bonnet is opened when the alarm is armed, this wire will trigger the system. This wire can be programmed (Menu 2, feature 12 or the Bitwriter) for normally open (default) or normally closed for connection to normally closed pin switches.

H1/7 — not used

H1/8 BROWN (-) horn output (200mA)

This wire is a low current output to a relay for the horn to sound when the system has been triggered. It can be programmed to either pulse or latch on when the alarm is triggered.

H1/9 WHITE/BLUE 200 mA (-) channel output 3

This wire provides a (-) 200 mA output whenever the transmitter button(s) controlling Channel 3 is pressed. This output can be programmed to provide the following types of output (see *System Features Learn Routine* section of this guide):

- ▶ A **validity** output will send a signal as long as the transmission is received.
- ▶ A **latched** output will send a signal continuously when the Channel 3 button(s) is pressed and released. The signal will continue until channel three is pressed again.
- ▶ A **latched/reset with ignition** output works similar to the latched output, but will also reset (output will stop) when the ignition is turned on and then off.
- ▶ A **30 (60, 90) second timed** output will send a signal for 30 seconds when Channel 3 is pressed. This output can be turned off during the 30-second period by pressing Channel 3 again. The Bitwriter™ can program from 1 to 90 seconds in 1 second increments.
- ▶ **Remote start** output (refer to System Features Menu description for additional information).

IMPORTANT! Never use this wire to drive anything but a relay or a low-current input! This transistorized output can only supply 200 mA, and connecting directly to a solenoid, motor, or other high-current device will cause the module to fail.

H1/10 BROWN/BLACK Unlock 87A (Normally Closed)

Refer to *Door Lock Harness Wire Connection Guide* section for instructions on connecting this wire.

H1/11 and H1/12 White indicator light flash outputs

These wires are the output of an on-board dual make relay and should be connected to wires in the vehicle that control the indicators. If the vehicle's indicator lights are controlled by a single wire, connect both WHITE wires to this single wire.

IMPORTANT! The polarity of this wire is determined by the position of the 10A fuse mounted on the control module printed circuit board. Always confirm the light flash polarity before changing the fuse position or damage to the vehicle's lighting system could occur. If the indicators are switched positive the fuse must connect to the 12 volt source, if they are switched negative move the fuse jumper to ground.

H1/13 BLACK/WHITE 2 Interior Light Illumination Output (30)

Connect this wire to the interior light circuit trigger wire or the alarm's door trigger input wire H1/3 or H1/6. When the alarm is disarmed this wire will provide an output to turn on the interior light for 30 seconds.

H1/14 BLACK/WHITE 1 (+) or (-) Interior Light Illumination Input (87)

This wire determines the output of the BLACK/WHITE H1/13 wire. If the vehicle has a negative switched interior light circuit, ground this wire; if the vehicle has a positive switched interior light circuit, attach this wire (using a fuse) to a 12 volt constant source.

H1/15 RED/WHITE (-) channel 2 (200mA)

This wire produces a 200mA output when activated by the remote control and can be used to operate a variety of accessories. This is often used to operate a boot/hatch release or other relay-driven function. All accessory outputs can be programmed to different types of outputs. Please see Programming Note #5.

IMPORTANT! Never use this wire to drive anything but a relay or a low-current input! This transistorized output can only supply 200 mA, and connecting directly to a solenoid, motor, or other high-current device will cause the module to fail.

H1/16 VIOLET/BLACK Lock 87 (Normally Open)

Refer to *Door Lock Harness Wire Connection Guide* section for connections.

H1/17 GREEN/BLACK Lock 30 (Common)

Refer to *Door Lock Harness Wire Connection Guide* section for connections.

H1/18 WHITE/BLACK Lock 87A (Normally Closed)

Refer to *Door Lock Harness Wire Connection Guide* section for connections.

H1/19 VIOLET Unlock 87 (Normally Open)

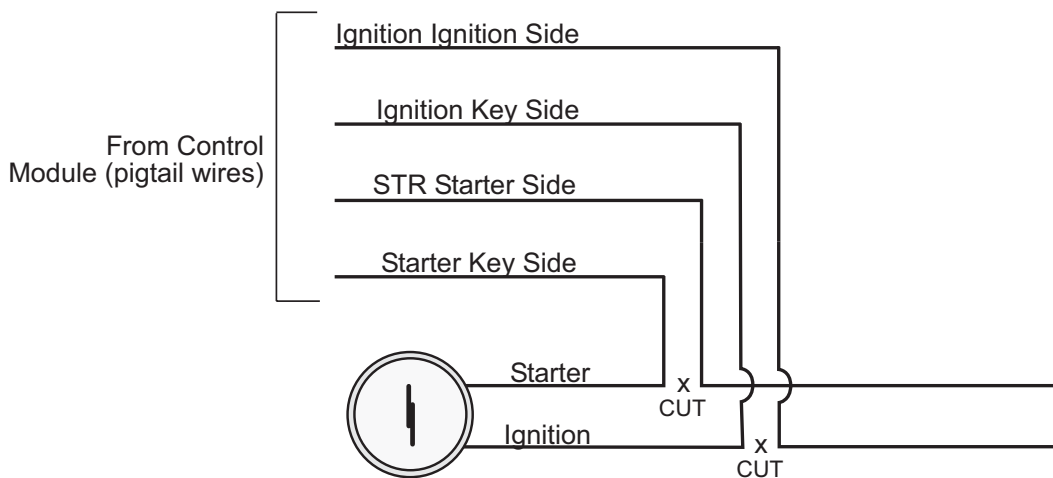
Refer to *Door Lock Harness Wire Connection Guide* section for connections.

H1/20 BLUE/BLACK Unlock 30 (Common)

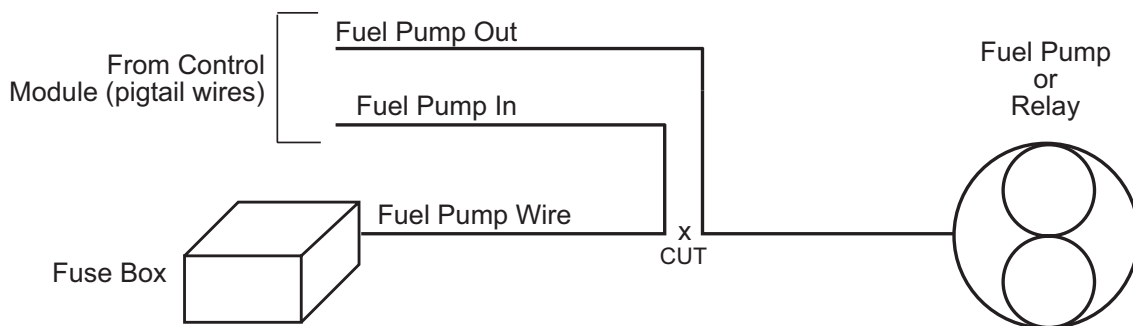
Refer to *Door Lock Harness Wire Connection Guide* section for connections.

pigtail harness wire connection guide

Locate the ignition and starter wires using a multimeter. Cut the appropriate wires and attach the key side and car side wires to the corresponding pigtail harness wires.

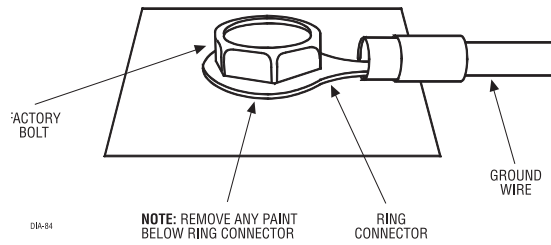


Locate the fuel pump wire using a multimeter. Cut the appropriate wires and attach the key side and car side wires to the corresponding pigtail harness wires.



NOTE: The current handling capacity of each immobilisation circuit is 20 amps continuous and 30 amps peak.

Connect the BLACK Ground wire and H1/2 BLACK ground wire to separate ground locations using a factory bolt that does NOT have any vehicle component grounds attached to it or drill a new hole if required. A screw should only be used in conjunction with a two-sided lock washer. Under dash brackets and door sheet metal are not acceptable ground points.



Connect the BLACK +12V power supply wire to an unfused source at the vehicle's fusebox. Use the supplied fuse holder and a 15 amp fuse.

NOTE: Remove all tags from pigtail harness wires after installation.

Auxiliary Harness Wire Connection Guide

Auxiliary Harness Wiring Diagram

H2/1	LIGHT BLUE	(-) Second Unlock
H2/2	ORANGE/BLACK	Retained Accessory Output
H2/3	GREY/BLACK	(-) Channel 6 Output
H2/4	WHITE/BLACK	(-) Channel 5 Output
H2/5	VIOLET/BLACK	(-) Channel 4 Output
H2/6	LIGHT GREEN/BLACK	(-) Factory Disarm Output

Auxiliary Harness Wiring Instructions

H2/1 LIGHT BLUE (-) second unlock output (200mA)

This wire produces a (-) 200mA output for vehicles with progressive/selective door unlock, where the driver's door unlocks first and the remaining doors unlock with a second press of the unlock button.

H2/2 ORANGE/BLACK (-) retained accessory output

NOTE: An additional relay (not supplied) is required for most applications.

Connect this wire to the accessory wire at the ignition switch that powers the accessories in the vehicle such as the radio. This wire will retain power after the ignition key is turned off. This output turns off when a door is open/closed or the system is armed.

H2/3 GREY/BLACK (-) channel output 6 (200mA)

This wire provides a (-) 200mA output whenever the transmitter button(s) controlling Channel 6 is pressed. This output can be programmed to provide the several types of outputs (see *Menu #3 - Advanced Features* section)

H2/4 WHITE/BLACK (-) channel output 5 (200mA)

See H2/3 description.

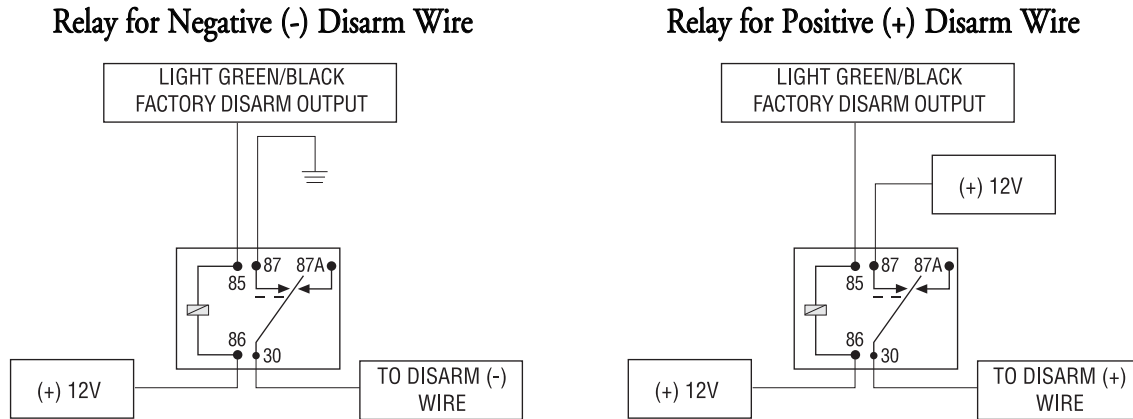
H2/5 VIOLET/BLACK (-) channel output 4 (200mA)

See H2/3 description.

IMPORTANT! Never use these wires (H2/3, H2/4, H2/5) to drive anything but a relay or a low-current input! This transistorised output can only supply 200 mA, and connecting directly to a solenoid, motor, or other high-current device will cause the module to fail.

H2/6 LIGHT GREEN/BLACK (-) factory disarm output

This wire sends a negative pulse every time the alarm is disarmed or the optional remote start is activated. This can be used to pulse the disarm wire of the vehicle's factory anti-theft device. Use a relay to send a (-) or (+) pulse to the disarm wire as shown in the diagrams below. This also outputs when Channel 2 is activated. This function is programmable ON/OFF.



Door Lock Harness Wire Connection Guide

Relay Harness Wiring Diagram

H1/10	BROWN/BLACK	Unlock #87a Normally Closed
H1/16	VIOLET/BLACK*	Lock #87 Normally Open (Input)
H1/17	GREEN/BLACK	Lock #30 Common (Output)
H1/18	WHITE/BLACK	Lock #87a Normally Closed
H1/19	VIOLET*	Unlock #87 Normally Open (Input)
H1/20	BLUE/BLACK	Unlock #30 Common (Output)

*NOTE: VIOLET and VIOLET/BLACK are common at fuse holder.

H1 connector central door locking

The system has door lock relays on-board, and can directly interface with most central locking systems drawing 20 amps or less.

Identifying the Door Lock System

There are eight different types of common door lock circuits found in vehicles (some vehicles use more unusual systems). The eight most common systems are:

- ▶ Type A: Three-wire (+) pulse controlling factory lock relays.
- ▶ Type B: Three-wire (-) pulse controlling factory lock relays.
- ▶ Type C: Direct-wired reversing-polarity switches. The switches are wired directly to the motors. This type of door lock system has no factory relays.
- ▶ Type D: Aftermarket door servo driven systems. These include slave systems without an actuator in the driver's door but with factory actuators in all the other doors. These can be controlled with the installation of an aftermarket motor in the driver's door.
- ▶ Type E: Electronically-activated vacuum systems. This may require special programming of the system.
- ▶ Type F: One-wire system.
- ▶ Type G: Positive (+) multiplex resistor-based circuit.
- ▶ Type H: Negative (-) multiplex resistor-based circuit.

Type A: Positive-Triggered, Relay-Driven System

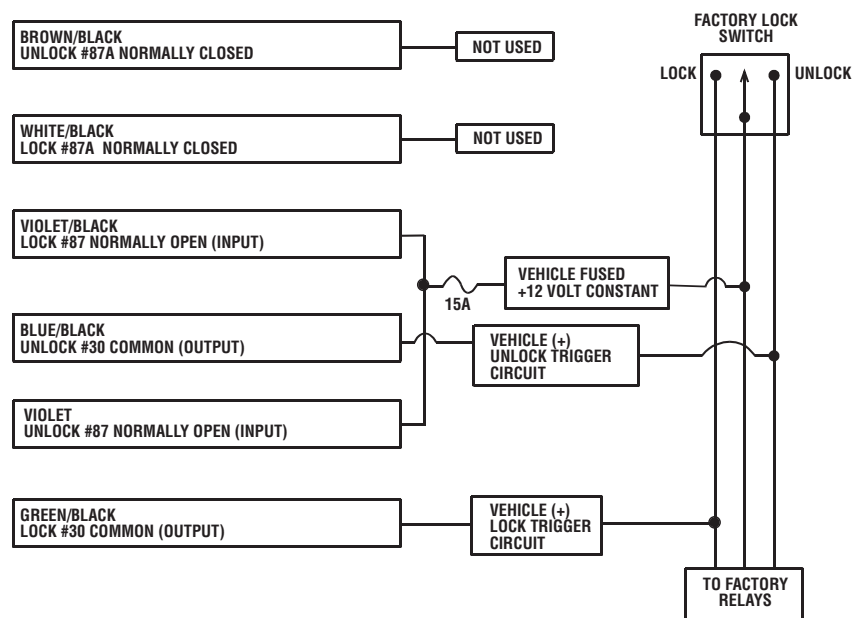
The system can control Type A door locks directly, with no additional parts. The switch will have three wires on it; one will test (+)12 volt constantly. The others will alternately pulse (+)12 volt when the switch is pressed to the lock or unlock position.

If you cannot get to the switch, and you find a set of wires that pulse (+)12 volt alternately on lock and unlock, make sure that it is not a Type C direct-wire system.

Cut the wire that pulses (+)12 volt on lock, and then operate the switch to unlock.

- ▶ If all doors unlock, the vehicle uses type A system.
- ▶ If you lose all door lock operation in both directions, you are operating the master switch in a Type C system.
- ▶ If you lose all door lock operation of one or more, but not all motors, and other doors still work, you have cut a wire leading directly to one or more motors. You must instead find the actual wires leading to the switch.

IMPORTANT! Remember that these wires' functions reverse between Type A and Type B.



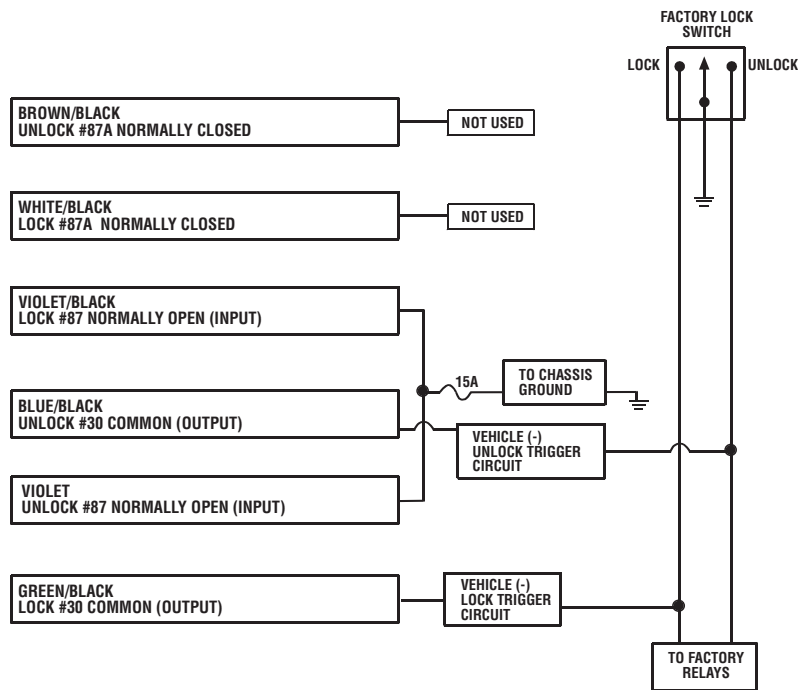
NOTE: Some BMW and VW vehicles will require the door lock output pulse to be programmed (Menu 1, Feature 7) to 0.4 secs or the windows will either open or close slightly when arming and disarming.

Type B: Negative-Triggered, Relay-Driven System

This system is common in many Toyotas, Nissans, Hondas and most European Ford vehicles.

The switch will have three wires on it, and one wire will test ground all the time. One wire will pulse negative (-) when the switch locks the doors, and the other wire will pulse negative (-) when the switch unlocks the doors. This type of system is difficult to mistake for any other type.

IMPORTANT! Remember that these wires' functions reverse between Type A and Type B.



Type C: Reversing Polarity System

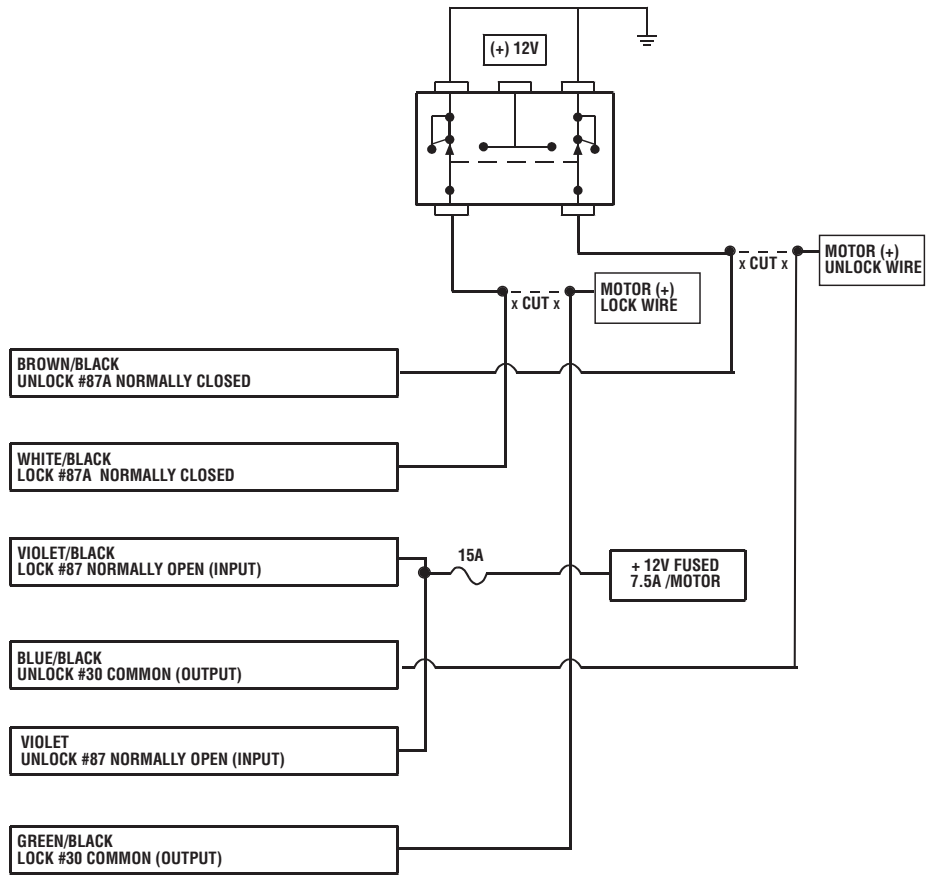
Use these instructions if the door lock motor/switch has four or five heavy-gauge wires. This type of switch has two outputs that rest at (-) ground.

IMPORTANT! To interface with these systems, you must cut two switch leads. The relays must duplicate the factory door lock switches' operation. The master switch will have one or two ground inputs, one (+)12V input, and two switch outputs going directly to the slave switch and through to the motors. These outputs rest at (-) ground. The lock or unlock wire is switched to (+)12V, while the other wire is still grounded, thus completing the circuit and powering the motor. This will disconnect the switch from the motor before supplying the motor with (+)12V, avoiding sending (+)12V directly to (-) ground.

It is critical to identify the proper wires and locate the master switch to interface properly. Locate wires that show voltage when the switch is moved to the lock or unlock position. Cut one of the suspect wires and check operation of the locks from both switches. If one switch loses all operation in both directions then you have cut one of the correct wires and the switch that is entirely dead is the master switch. If both switches still operate in any way and one or more door motors have stopped responding entirely, you have cut a motor lead. Reconnect it and continue to test for another wire. Once both wires have been located and the master switch identified, cut both wires and interface as described in the following paragraphs.

WARNING! If these wires are not connected properly, you will send (+)12V directly to (-) ground, possibly damaging the alarm or the factory switch.

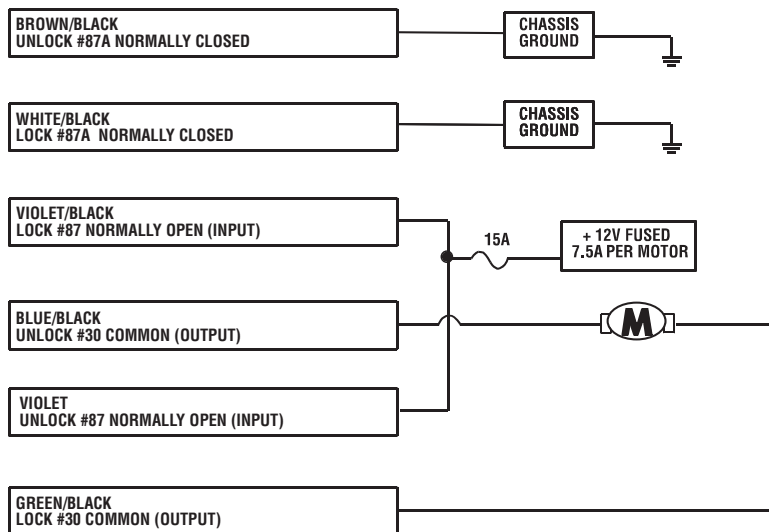
- ▶ **WHITE/BLACK:** Once both door lock wires are located and cut, connect the white/black wire to the master switch side of the lock wire. The master switch side will show (+)12V when activated and (-) ground at rest.
- ▶ **GREEN/BLACK:** Connect the green/black wire to the motor side of the lock wire.
- ▶ **VIOLET/BLACK and H2/4 VIOLET:** These wires must be connected to constant (+)12 volts (via a 15-amp fuse). The best connection point for these wires is directly to the positive (+) battery post or an unfused source at the vehicle fusebox.
- ▶ **BLUE/BLACK:** Connect the blue/black wire to the motor side of the unlock wire.
- ▶ **BROWN/BLACK:** Connect the brown/black wire to the master switch side of the unlock wire. The master switch side will show (+)12V when activated and (-) ground at rest.



Type D: After-Market Actuators

Vehicles without central door locking or with single-point central locking only require additional door motors. This requires mounting the door lock actuator inside the door. Some vehicles may only require one actuator installed in the driver's door if all door locks are operated when the driver's lock is used.

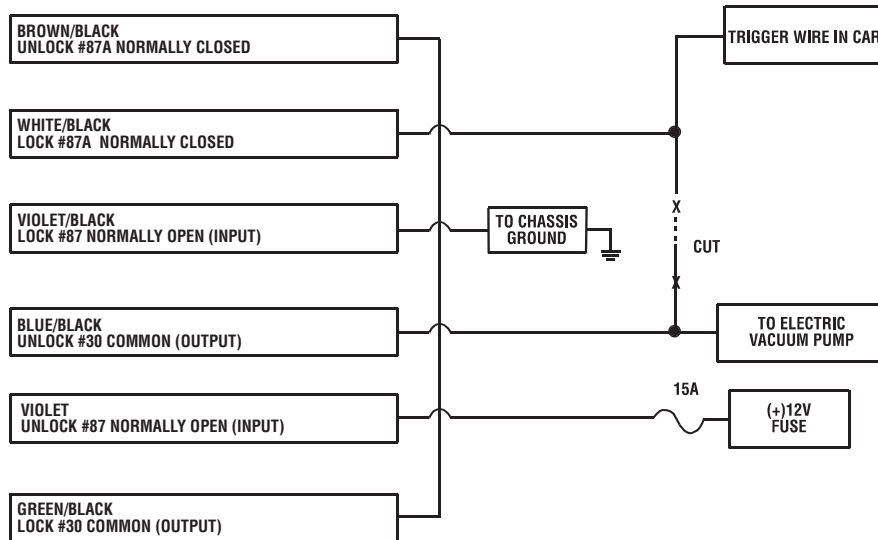
The fuse used on 12 volt inputs should be 7.5A per motor installed in the vehicle.



Type E: Mercedes-Benz and Audi (1985 and newer)

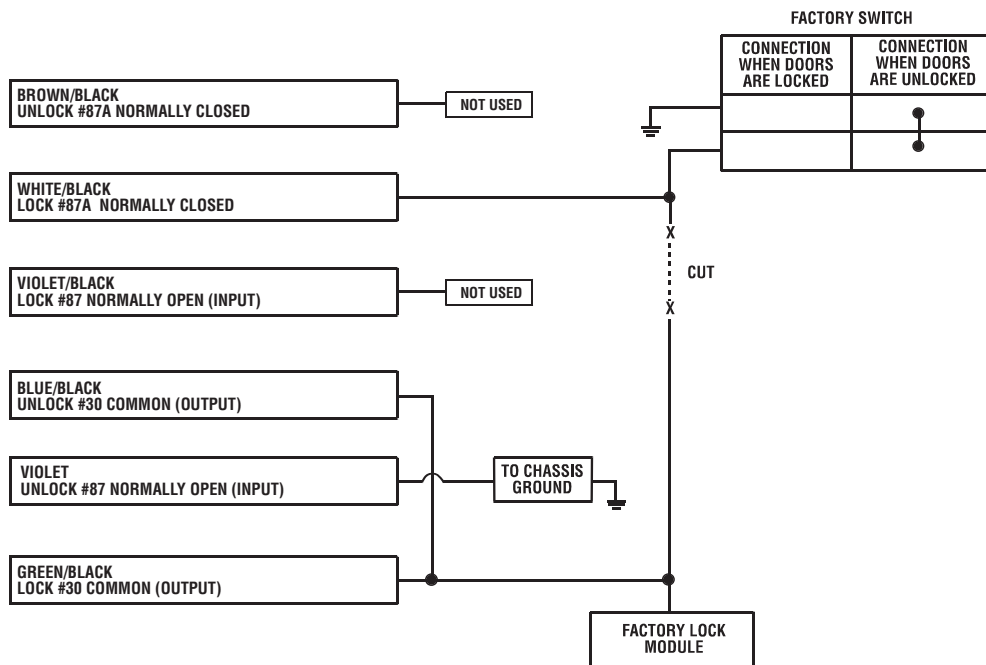
Type E door locks are controlled by an electrically activated vacuum pump. Test by locking doors from the passenger key cylinder. If all the doors lock, the vehicle's door lock system can be wired as type E. The control wire can be found in either kick panel and will show (+)12 volt when doors are unlocked and (-) ground when doors are locked.

To interface see diagram below. The system must be programmed for 3.5 second door lock pulses up to 1993 and 1 second pulse 1994 or newer.



Type F: One-Wire System

Type F door locks usually require a negative pulse to unlock and cutting the wire to lock the door. In some vehicles, these functions are reversed. These door locks are found most commonly in Mitsubishi, Proton and Lotus.



Type G: Positive (+) Multiplex

Single-Resistor Type

If one resistor is used in the door lock switch/key cylinder, the wire will pulse (+)12V in one direction and less than (+)12V when operated in the opposite direction.

Two-Resistor Type

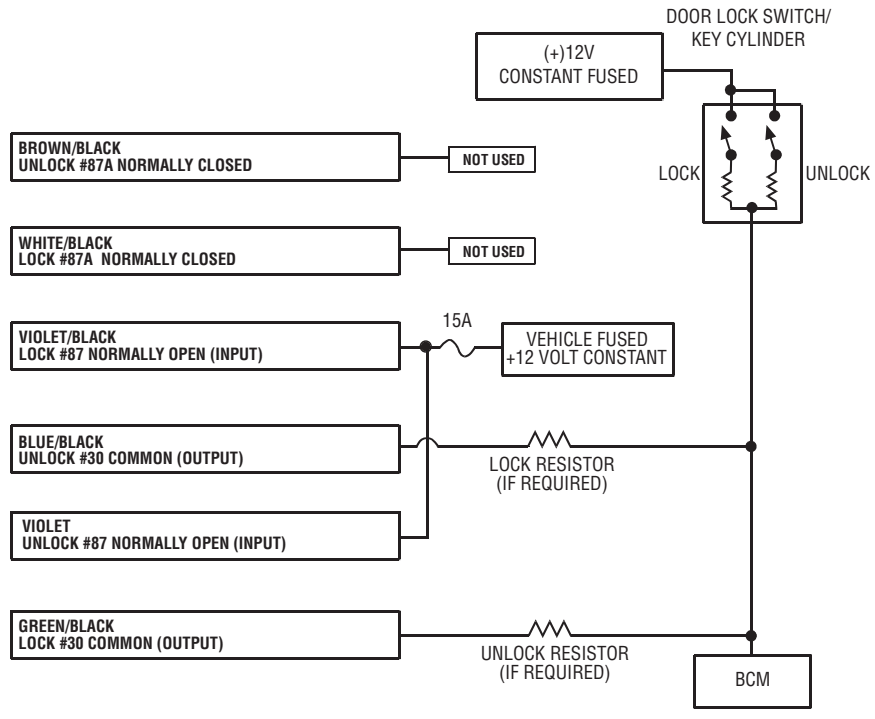
If two resistors are used in the factory door lock switch/key cylinder, the switch/key cylinder will read less than (+)12V in both directions.

Determining the Proper Resistor Values

To determine the resistor values, the door lock switch/key cylinder must be isolated from the factory door lock system. For testing, use a calibrated digital multimeter that is set to ohms.

IMPORTANT! To ensure an accurate resistance reading, do not touch the resistor or leads during testing.

1. Cut the output wire from the door lock switch/key cylinder in half.
2. Test with the meter from the switch side of the cut door lock switch/key cylinder wire to a reliable constant (+)12V source. Some good constant (+)12V references are the power input source to the door lock switch/key cylinder, the ignition switch power wire, or the (+) terminal of the battery.
3. Operate the door lock switch/key cylinder in both directions to determine the resistor values. If the multimeter displays zero resistance in one direction, no resistor is needed for that direction.
4. Once the resistor value(s) is determined, refer to the wiring diagram for proper wiring.



Type H: Negative (-) Multiplex

Single-Resistor Type

If one resistor is used in the door lock switch/key cylinder, the wire will pulse ground in one direction and resistance to ground when operated in the opposite direction.

Two-Resistor Type

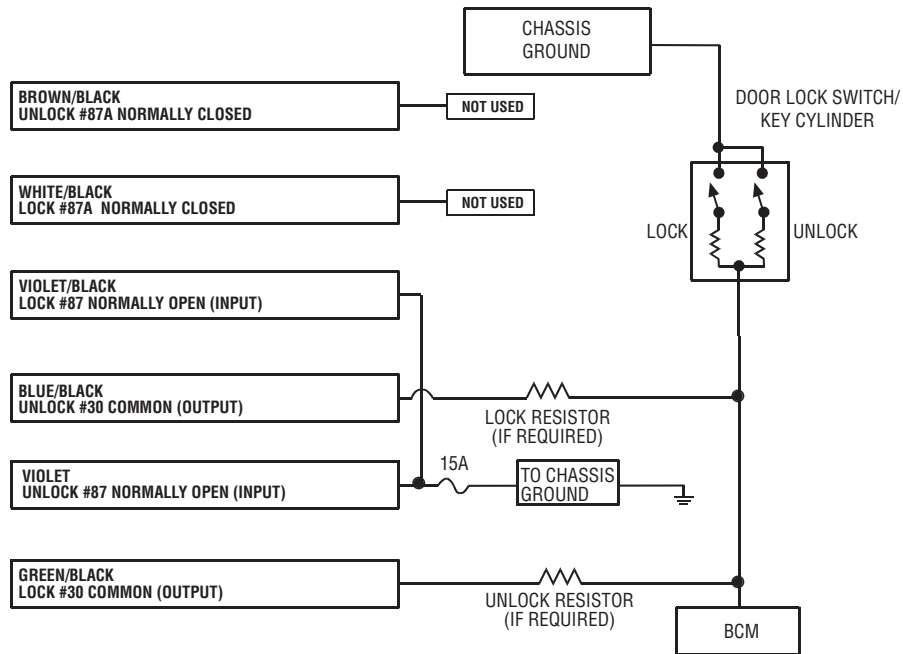
If two resistors are used in the factory door lock switch/key cylinder, the door lock switch/key cylinder will read resistance to ground in both directions.

Determining the Proper Resistor Values

To determine the resistor values, the door lock switch/key cylinder must be isolated from the factory door lock system. For testing, use a calibrated digital multimeter that is set to ohms.

IMPORTANT! To ensure an accurate resistance reading, do not touch the resistor or leads during testing.

1. Cut the output wire from the door lock switch/key cylinder in half.
2. Test with the meter from the switch side of the cut door lock switch/key cylinder wire to a reliable ground source. Some good ground references are the ground input source to the door lock switch/key cylinder or battery ground.
3. Operate the door lock switch/key cylinder in both directions to determine the resistor values. If the multimeter displays zero resistance in one direction, no resistor is needed for that direction.
4. Once the resistor value(s) is determined, refer to the diagram for proper wiring.

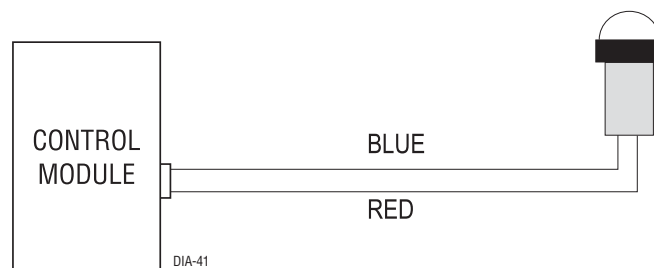


Peripheral Plug-In Harnesses

Super Bright LED, 2-Pin WHITE Plug

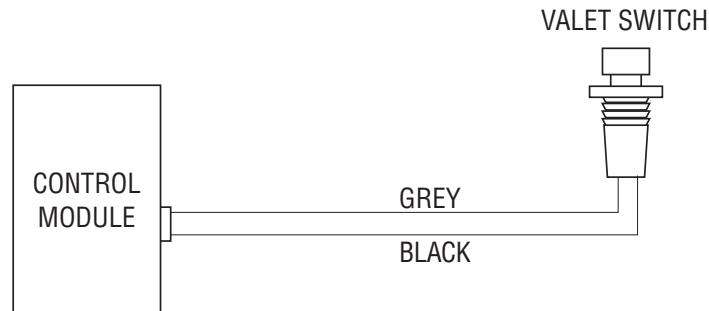
The super bright LED plugs into the two-pin WHITE port. Make sure the LED wires are not shorted to ground as the LED will be damaged. Two LEDs can be used, but they must be wired in series. The LED fits into a 7mm mounting hole. Check for clearance prior to drilling the mounting hole.

NOTE: Never use a BLUE LED in combination with a RED LED.



Valet/Program Button, 2-Pin BLUE Plug

The Valet/Program button should be accessible from the driver's seat. It plugs into the BLUE port on the side of the unit. Since the system includes a remote Valet feature, this button can be hidden. Consider how the button will be used before choosing a mounting location. Check for rear clearance before drilling a 7mm hole and mounting the button.



Programmer Interface, 3-Pin BLACK Plug



The BLACK three-pin port is provided for programming of the unit using the 998T Bitwriter®. For more information please refer to the guide packaged with the programmer.

Mounting the Receiver/Antenna

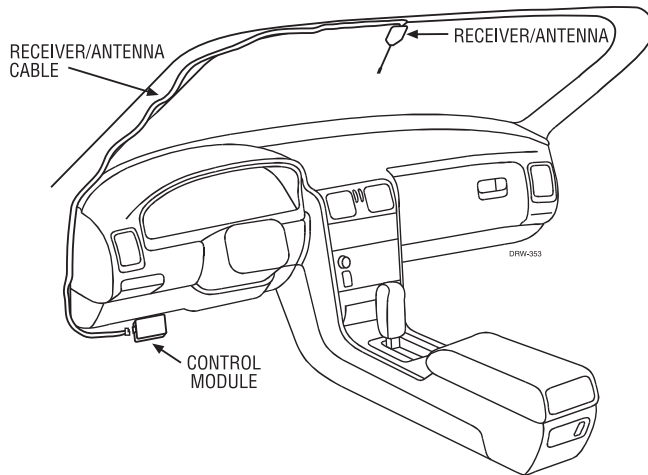
Receiver/antenna position should be discussed with the vehicle's owner prior to installation, since the antenna may be visible to the vehicle's operator.

The best location for the receiver/antenna is centered high on either the front or rear windscreen. For optimal range, the antenna should be mounted vertically. It can be mounted horizontally in relation to the windscreen or under the dashboard away from metal, but range will be reduced. Metallic window tint can also affect range, so this should be a consideration when determining the mounting location.

After determining the best mounting location, follow these steps:

1. Clean the mounting area with a quality glass cleaner or alcohol to remove any dirt or residue.
2. Plug the receiver/antenna cable into the receiver/antenna.
3. Mount the receiver/antenna using the supplied double-sided tape.
4. Route the receiver/antenna cable to the control module and plug it into the four-pin antenna connector.

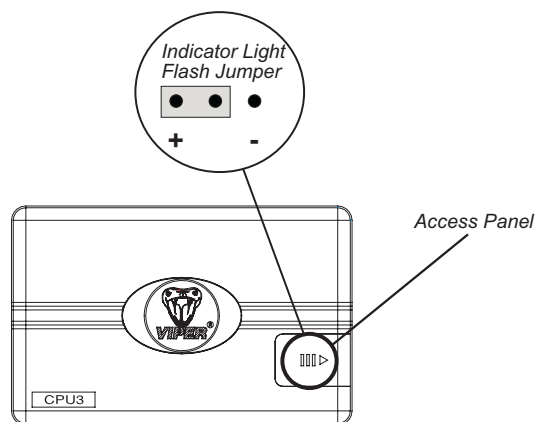
IMPORTANT! To achieve the best possible range, DO NOT leave the antenna cable bundled under the dash. Always extend the cable full length during installation, regardless of the antenna mounting location.



Optional Sensors, 4-Pin White Plug x 2

There are two optional sensor input ports. Optional sensors which can be used are proximity, tilt, shock, or glass breakage. Alarm trigger inputs shorter than 0.8 seconds will trigger the Warn Away[®] response, while inputs longer than 0.8 seconds will trigger full alarm sequence and report Zone 4 or Zone 7 for multiplex input.

Indicator Light Flash Jumper



This jumper is used to determine the indicator light flash output polarity. In the (+) position, the on-board relay is enabled and the unit will output (+)12V on the WHITE wires, H11/12. In the (-) position, the two WHITE wires will supply a (-) output suitable for driving negative switching indicator circuits.

NOTE: Current handling capacity for H11 and H12 Indicator circuits is 10 amps continuous each.

IMPORTANT! DO NOT connect the WHITE indicator wires to a negative switching vehicle circuit before changing the programming jumper to the negative polarity position or damage to the vehicle may occur.

Ultrasonic Sensor

The built-in remotely adjustable Ultrasonic sensor is used to provide coverage of a vehicle's interior cabin area. The sensors detect movement inside the vehicle by sensing air disturbance. They should trigger the alarm if a thief has gained access to the interior of your vehicle.

Mounting the Control Module and Transducers

1. Choose a location under the dashboard for the control module that is close enough that the transducers will reach the top of the A-pillar on both driver and passenger sides.
2. One transducer is longer than the other, so mount the transducer with the longest harness furthest from the control module. Use the screws provided or insert the mounting tabs between the dashboard and windscreen pillar.
3. Angle the sensors towards the top centre of the rear window. If mounted at the top of the A-pillars make sure the transducers position does not affect use of the sun visor.
4. Route the sensor cables to the alarm control module and plug-in. It will report zone 2 if triggered.

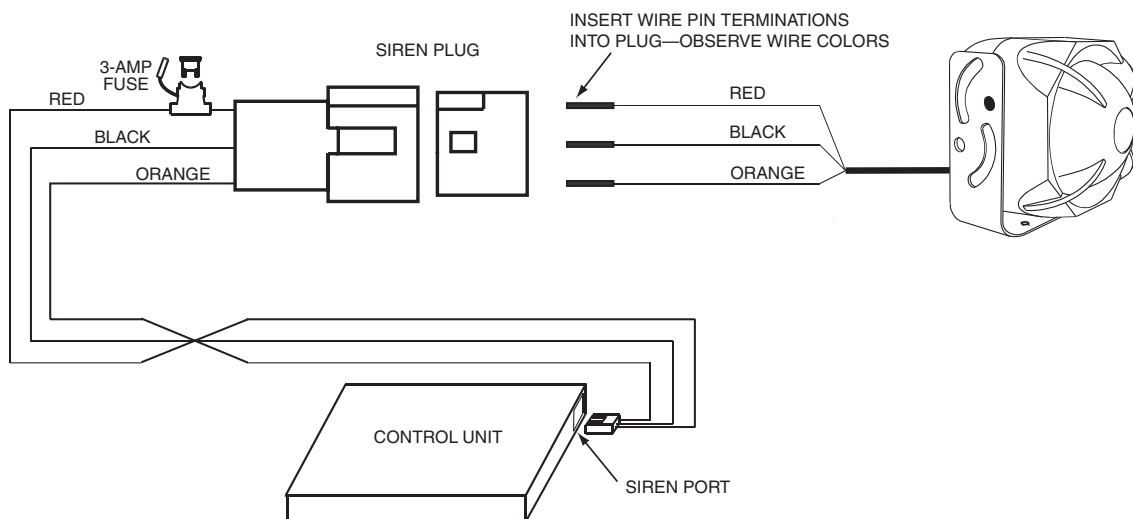
515ESP Self-Powered Smartsiren

The siren transmits a two-way digital signal between itself and the control unit. If a thief disconnects power and/or cuts or tampers with any or all of the siren wires while the system is armed, the siren will sound for five minutes and then reset. Since this will only occur while the system is armed, there is no need for a siren override key. Unlike other back-up battery sirens that constantly drain the car battery, Directed's design draws charging current only when the ignition is on (i.e., engine running). If the internal battery is discharged, the arm/disarm chirps are muted.

Siren Installation Instructions

1. Firmly secure the siren to the engine bay firewall or wing using the screws supplied. Mount the siren away from areas of water ingress or excessive heat. Point the siren downward to avoid moisture collecting.
2. Run the cable from the 515ESP Self-Powered Siren through the firewall into the passenger compartment, being careful not to tear the pins from the end of the cable.
3. Insert the siren wires into the white 3-pin plug as shown in the diagram below.
4. Insert the 3-pin harness with the RED, ORANGE, and BLACK wires into the siren port on the control unit. The RED wire of this harness has a 3-amp fuse.
5. Insert the white 3-pin plug into the other plug end of the 3-pin harness.

NOTE: The vehicle must be driven for a total of eight hours after the siren has been installed in order to sufficiently charge the siren's back-up battery.



Autoimmobilisation Feature

Immobiliser circuits automatically activate after 30 seconds.





NOTE: H1/1 orange ground when armed will not activate during AutoImmobilisation.

Auto-immobilisation Sequence

1. Turn ignition off or disarm alarm.
2. After 30 seconds the systems Immobilisation circuits activate and engage the starter, ignition, and fuel pump interrupts.
3. LED flashes at ½ normal speed.



Disarming the System when Immobilised

Use one of the following methods to turn off auto-immobilisation.

- Press the  button of the transmitter or turn the ignition on and press the  button of the transmitter.
- Arm  the alarm and then disarm  the alarm.
- Turn the ignition on and enter the system valet/PIN code.

Bypassing Sensor Inputs

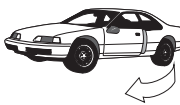
There are times when you need to temporarily bypass all sensor inputs to the unit, such as when activating the windows or leaving a person or pet inside the vehicle. Anytime an auxiliary channel output is used, sensor inputs are bypassed until 5-seconds after the output turns off.

To temporarily disable a sensor input, arm  the system. Press the  button again and the system will respond with 3 indicator flashes. This means all sensor warn-away triggers are bypassed. Press the button again and the system will respond with 4 indicator light flashes. This means all sensor warn-away and full triggers are bypassed.

System Features Learn Routine

The System Features Learn Routine allows the unit to be customised to the vehicle and user's requirements. Due to the number of steps, they have been broken up into three menus. It is possible to access and change any of the feature settings using the Valet/Program button. However, this process can be greatly simplified by using the 998T Bitwriter®. Any of the settings can be changed and then assigned to a particular transmitter, up to four, a feature called Owner Recognition. Each time that particular transmitter is used to disarm the system, the assigned feature settings will be recalled. Owner Recognition is only possible when programming the unit via the 998T Bitwriter®.

If the system was previously programmed using the 998T Bitwriter®, the learn routine may be locked. If the siren generates one long chirp when attempting to program the unit, the learn routine is locked and must be unlocked using the 998T Bitwriter®.



1. **Open a door.** (The H1/3 GREEN wire or the H1/5 VIOLET wire must be connected.)

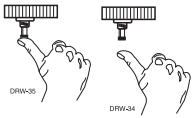


2. **Ignition.** Turn the ignition on, then back off.





3. **Select a Menu.** Press and HOLD the Valet/Program button: (The Valet/Program button must be plugged into the blue port.) After three seconds the siren will chirp once and the LED will flash once indicating entry to the Basic Features Menu #1. If this is the menu you wish to access, release the button and go on to Step 4. If the button is not released, you will jump to the


Advanced Features Menu #2 and the siren will chirp twice and the LED will flash twice. If the button is still not released, you will jump to Advanced Features Menu #3 and the siren will chirp three times and the LED will flash 3 times. Once you have selected the desired menu, release the Valet/Program button and then proceed to Step 4. If the button is still not released, you will jump back to Basic Features Menu #1 and so on.



4. **Select a Feature.** Press and release the Valet/Program button the number of times corresponding to the feature you wish to change. For example, to access the second feature, press and release the button two times. Then press the button once more and HOLD it. The siren will chirp and the LED will flash the number of times equal to the step you have accessed.



5. **Program the Feature.** While HOLDING the Valet/Program button, you can toggle the feature on and off using the remote transmitter. In this example, pressing  will select the chirps ON setting and the siren will chirp 1 time. Pressing  will change the programming to the chirps OFF setting and the siren will chirp twice. (See *System Features Menus* section of this guide.)

NOTE: For features with more than 2 settings pressing  will toggle through all the two-chirp settings and emit the corresponding number of chirps.



6. **Release the Valet/Program Button.**

Once a feature is programmed:

- Other features can be programmed within the same menu.
- Another menu can be selected.
- The learn routine can be exited if programming is complete.

To access another feature in the same menu:

1. Press and release the Valet/Program button the number of times necessary to advance from the feature you just programmed to the next one you want to program. Pressing the button more times than the final feature number will wrap around to the beginning again. For example, after pressing 13 times for the final feature in menu 1 another button press will be feature 1.
2. Then press the Valet/Program button once more and HOLD it.

For example, if you just programmed the third feature in the menu and you would like to program the seventh feature in the menu, you would press and release the Valet/Program button four times and then press it once more and HOLD it. The siren would chirp seven times to confirm access to the seventh feature.

To select another menu:

1. Press and HOLD the Valet/Program button.
2. After three seconds, the unit will advance to the next menu and the siren will chirp, indicating which menu has been accessed.

For instance, if you just programmed some features in Menu #1 (Basic Features) and you wish to program a feature in Menu #2, you press and HOLD the Valet/Program button. After 3-seconds, the siren chirps twice and the LED flashes twice indicating access to Menu #2. To advance to Menu #3, continue to HOLD the Valet/Program button an additional 3-seconds until the siren chirps and LED flashes three times indicating access to Menu #3.

To exit the learn routine do one of the following:

- Close the open door.
- Turn the ignition on.
- No activity for longer than 15 seconds.

System Features Menus

Menu #1 - Basic Features

Items in bold text have been programmed to the default setting at the factory.

Feature Number	One Chirp Setting	Two-Chirp Setting
1-1	Active arming	Passive arming
1-2	Chirps (ON)	Chirps (OFF)
1-3	Ignition controlled door locks (ON)	Ignition controlled door locks (OFF)
1-4	Ignition controlled door unlock (ON)	Ignition controlled door unlock (OFF)
1-5	Passive Locking (ON)	Passive locking (OFF)
1-6	Remote Panic (ON)	Remote Panic (OFF)
1-7*	0.8 second door lock pulses	3.5 second door lock pulses/0.4 sec.
1-8	Forced passive arming (ON)	Forced passive arming (OFF)
1-9	Not used	
1-10	Vehicle Recovery System (VRS®) (ON)	(VRS®) (OFF)
1-12	Pin Code 1 st digit	Pin Code 2 nd digit
1-13	Pin Code 3 rd digit	Pin Code 4 th digit

For feature number 1-7, the 3.5 second door lock pulse setting the siren will chirp twice, the 0.4 second door lock pulse setting the siren will chirp three times.

Menu #2 - Advanced Features

Feature Number	One Chirp Setting	Two-Chirp Setting
2-1	Remote Sensor Bypass (Enabled)	Remote Sensor Bypass (Disabled)
2-2	Not used	
2-3	Not used	
2-4	Not used	
2-5	Not used	
2-6	Bypass Notification (ON)	Bypass Notification (OFF)
2-7	Enhanced Courtesy light Control (Full)	(door only, ignition only, Off)
2-8	Single unlock pulse	Double unlock pulse
2-9	Single lock pulse	Double lock pulse
2-10	Comfort Closure (On)	Comfort Closure (Off)
2-11	Not used	
2-12	Bonnet Trigger (normally closed)	Bonnet Trigger (normally open)
2-13	Dual Sensor Trigger Mode (On)	Dual Sensor Trigger Mode (Off)
2-14	High Security Disarm (On)	High Security Disarm (Off)

Menu #3 - Advanced Features

Note: Some of the features described below are only available with the Bitwriter®.

Feature Number	One Chirp Setting	Two-Chirp Setting
3-1	Horn (pulsed)	Horn (constant)
3-2	Horn Function (full alarm only)	Siren function—chirp length (20mS, 30mS, 40mS, 50mS)
3-3	Factory Disarm with Channel 2 (On)	Factory Disarm with Channel 2 (Off)
3-4	Ground When Armed in Valet® (On)	Ground When Armed in Valet® (Off)
3-5	Channel 3: Validity	latched/latched, reset with ignition/30-second/60-second/90-second timed/remote start report
3-6	Channel 3: Linking (Off)	Arm, Disarm, both
3-7	Channel 4: Validity	latched/latched, reset with ignition/30-second/60-second/90-second timed
3-8	Channel 4: Linking (Off)	Arm, Disarm, both
3-9	Channel 5: Validity	latched/latched, reset with ignition/30-second/60-second/90-second timed
3-10	Channel 5: Linking (Off)	Arm, Disarm, both
3-11	Channel 6: Validity	latched/latched, reset with ignition/30-second/60-second/90-second timed
3-12	Channel 6: Linking (Off)	Arm, Disarm, both
3-13	Not used	
3-14	Ignition Controlled 2nd Unlock (Progressive)	Ignition Controlled 2nd Unlock (Immediate - with first unlock)

Bitwriter Features

Feature Description	Settings (factory default in bold)
Channel 3 Timed	1–90 seconds (30 seconds)
Channel 4 Timed	1–90 seconds (30 seconds)
Channel 5 Timed	1–90 seconds (30 seconds)
Channel 6 Timed	1–90 seconds (30 seconds)
Zone 2 Ultrasonic sensor adjust	level 0–20

Feature Descriptions

The features of the system are described below. Features that have additional settings that can be selected with the 998T Bitwriter® are indicated by the following icon:



Menu #1 - Basic Features

1-1 ACTIVE/PASSIVE ARMING: When active arming is selected, the system will only arm when the transmitter is used. When set to passive, the system will arm automatically 30 seconds after the last door is closed and the interior light has turned off. To alert the user of passive arming, the siren will chirp 20 seconds after the door is closed. This provides the user with an audible indication prior to the system actually arming. At the 30 second mark, the system will arm but the siren will not chirp.

1-2 CHIRPS ON/OFF: This feature controls the chirps that confirm the arming and disarming of the system.

1-3 IGNITION CONTROLLED DOOR LOCK ON/OFF: When turned on, the doors will lock three seconds after the ignition is turned on, if the doors are closed.

1-4 IGNITION CONTROLLED DOOR UNLOCK ON/OFF: When turned on, the doors will unlock when the ignition is turned off.

1-5 ACTIVE/PASSIVE LOCKING: If passive arming is selected in menu item 1-1, then the system can be programmed to either lock the doors when passive arming occurs, or only lock the doors when the system is armed via the transmitter. Active locking means the system will not lock the doors when it passively arms. Passive locking means that the system will lock the doors when it passively arms.



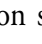
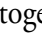
NOTE: Remember, when passive arming is selected, the unit will chirp 20 seconds after the last door is closed. The system does not actually arm or lock the doors until 30 seconds after the door has been closed.

1-6 REMOTE PANIC: This step controls whether or not the Panic Mode is available.

1-7 DOOR LOCK PULSE DURATION: Some vehicles, such as Mercedes-Benz and Audi, require longer lock and unlock pulses to operate the vacuum pump. Programming the system to provide 3.5 second pulses, will accommodate the door lock interface in these vehicles. The default setting is 0.8 second door lock pulses. For some vehicles that incorporate total open and total close features a 0.4 second pulse duration is required, to prevent the windows from moving.

1-8 FORCED PASSIVE ARMING ON/OFF: To use this feature, passive arming must be selected in menu item 1-1. When turned on, forced passive arming will ensure that the system will passively arm, even if a zone is left active (open). Forced passive arming occurs one hour after the ignition is turned off.


1-10 VEHICLE RECOVERY SYSTEM: If Vehicle Recovery System (VRS®) is programmed to the ON setting, VRS® can be activated by the user. Refer to the *Owner's Guide* for additional description.


1-12 and 1-13 PIN NUMBER: For feature numbers 1-12 and 1-13, the number of presses on the arm  button sets the first/third digit of the PIN number. Likewise the number of presses on the disarm  button sets the second/fourth digit of the PIN number. Press both the  and the disarm  buttons together to set both the first and second or third and fourth digits to "00".


Menu #2 - Advanced Features

2-1 REMOTE SENSOR BYPASS: The system can be programmed to allow remote sensor bypass or for this feature to be disabled so the sensors cannot be bypassed by the user. The indicator light flashes provide the indication for the zones selected to be bypassed.


Remote Sensor Bypass ON

After arming, immediately press the  button once. The indicator lights will flash 3 times and all the sensor warn-away zones will be bypassed.

After arming, immediately press the  button twice. The indicator lights will flash 4 times and all the sensor warn-away and full alarm zones will be bypassed. All remaining zones are still active.

NOTE: To bypass the Ultrasonic sensors, after arming press the  button twice.

Remote Sensor Bypass OFF

No zones are bypassed. Pressing arm  again will repeat the arm output, and the unit will remain in the armed state.

2-6 BYPASS NOTIFICATION ON/OFF: When programmed On, if the door trigger input (zone 3) is active during arming the system will generate a bypass notification chirp. When programmed OFF, no bypass notification chirps will be generated if zone 3 is active during arming. You would need to set this feature OFF when connecting the door trigger wire to a vehicle with delayed courtesy lights.

2-7 ENHANCED COURTESY LIGHT CONTROL: This feature has four possible settings: Full, Door Controlled, Ignition Controlled, and None.

FULL: The system incorporates both Door Controlled and Ignition Controlled features (described below).



DOOR CONTROLLED: If turned on, a 30-second timer will start after the door has been opened and then closed. If the door trigger (door open) remains active for longer than 180-seconds, the timer will not activate for this cycle. If the ignition is turned on, the timer will stop and the interior light will extinguish.

IGNITION CONTROLLED: If turned on, the system will turn on the interior light for 30 seconds when the ignition is turned off.

NONE: The system will pulse the interior light if the alarm is triggered and turn it on for 30-seconds after the system is disarmed.

2-8 DOUBLE/SINGLE PULSE UNLOCK: Some vehicles require two pulses on a single wire to unlock the doors. When the double pulse unlock feature is turned on, the BLUE/BLACK H1/20 wire will supply two pulses instead of a single pulse. This makes it possible to directly interface with double pulse vehicles without any extra parts.

2-9 DOUBLE/SINGLE PULSE LOCK: Some vehicles require two pulses on a single wire to lock the doors. When the double pulse lock feature is turned on, the GREEN/BLACK H1/17 wire will supply two pulses instead of a single pulse. This makes it possible to directly interface with double pulse vehicles without any extra parts.

2-10 COMFORT CLOSURE: The system can be programmed to close the windows when the system is armed. A 20-second output starts 200mS after the last lock  pulse. The Comfort Closure output will be canceled if the unlock  button is pressed. If turned on, the lock output wire will provide this function leaving the channel output wires to be used for other options.

NOTE: Comfort Closure is deleted if one-time bypass is activated.

2-12 BONNET TRIGGER NORMALLY CLOSED/NORMALLY OPEN: To program the unit for either a normally closed or normally open pin switch connected to the H1/6 GREY wire.

2-13 DUAL SENSOR TRIGGER ON/OFF: When programmed On any two sensors (zones 2, 4, 7) need to be triggered within 1-second of each other to trigger the alarm/siren. When programmed Off each sensor will trigger the alarm/siren independently.

2-14 HIGH SECURITY DISARM ON/OFF: When programmed On if the alarm is sounding the system will silence the siren on the first press of the unlock button and disarm/unlock on the second press of the unlock button. When programmed Off (or within 5-seconds of alarm triggering when programmed On) the system will disarm and unlock on the first press of the unlock button.

Menu #3 - Advanced Features

3-1 HORN (PULSED)/HORN (CONSTANT): Program for either a pulsed output or a continuous output when the alarm is triggered.

3-2 HORN FUNCTION (FULL ALARM ONLY)/SIREN FUNCTION (20mS, 30mS, 40mS, 50mS): Program the horn honk output to activate when the alarm is fully triggered only or as an additional siren (arming/disarming warnaway and full trigger with timing option chirps).

3-3 FACTORY DISARM WITH CHANNEL 2 (ON)/FACTORY DISARM WITH CHANNEL 2 (OFF): The factory alarm disarm wire sends out a pulse when activating channel 2 output.

3-4 GROUND WHEN ARMED IN VALET (ON)/GROUND WHEN ARMED IN VALET (OFF): Provides On/Off programming for the Ground When Armed wire output when locking the car while in Valet mode.

3-5 CHANNEL 3 VALIDITY, LATCHED, LATCHED/RESET WITH IGNITION/30-SECOND/60-SECOND/90-SECOND TIMED/REMOTE START REPORT: Channel 3 can be programmed for these output configurations. The unit is set to the default validity output. To change the configuration, use the two-chirp setting to toggle to the different configurations listed below.

- ▶ **Validity:** Output that will send a signal as long as the transmission is received.
- ▶ **Latched:** Output that will send a signal when the Channel 3 button(s) is pressed and will continue until the same button(s) is pressed again.

- ▶ **Latched, reset with ignition:** Similar to the latched output, this type of output turns on the first time the Channel 3 button(s) is pressed and turns off the next time the same button is pressed. This type of output additionally stops and resets whenever the ignition is turned on and then off.
- ▶ **30-second (60, 90) timed:** Output that will send a continuous signal for 30 seconds. Bitwriter™ programs 1 to 90 seconds.
- ▶ **Remote Start:** ON Report—When programmed ON and when Channel 3 is transmitted and Zone 1 is grounded, the system will:
 - Bypass all sensor zones, the ESP will transmit Remote Start ON to HHU (note: no transmission on this model), and the Factory Alarm Disarm will output immediately after receiving a remote start operation.
- ▶ **Remote start:** OFF report:
 - All sensor zones will be reactivated and the ESP will transmit Remote Start OFF to Optional 2-way LCD HHU (note: no transmission on this model).

3-6 CHANNEL 3 LINKING (OFF)/ARM, DISARM, BOTH: When programming to validity or timed output this can be programmed to activate when arming or disarming (or both) with the transmitter.

3-7 CHANNEL 4 VALIDITY, LATCHED, LATCHED/RESET WITH IGNITION/30-SECOND/60-SECOND/90-SECOND TIMED: Refer to Feature 3-5 above.

3-8 CHANNEL 4 LINKING (OFF)/ARM, DISARM, BOTH: See Feature 3-6.

3-9 CHANNEL 5 VALIDITY, LATCHED, LATCHED/RESET WITH IGNITION/30-SECOND/60-SECOND/90-SECOND TIMED: Refer to Feature 3-5 above.

3-10 CHANNEL 5 LINKING (OFF)/ARM, DISARM, BOTH: See Feature 3-6.

3-11 CHANNEL 6 VALIDITY, LATCHED, LATCHED/RESET WITH IGNITION/30-SECOND/60-SECOND/90-SECOND TIMED: Refer to Feature 3-5.

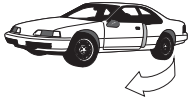
3-12 CHANNEL 6 LINKING (OFF)/ARM, DISARM, BOTH: See Feature 3-6.

3-14 IGNITION CONTROLLED 2ND UNLOCK (PROGRESSIVE)/IGNITION CONTROLLED 2ND UNLOCK (IMMEDIATE - WITH FIRST UNLOCK): When Progressive 2nd unlock is ON the 2nd unlock activates after the 1st unlock pulse. When Immediate is ON the 2nd unlock occurs at the same time as the 1st unlock pulse.

Transmitter/Receiver Learn Routine

The system comes with two 4-button transmitters that have been taught to it. The system can store up to four different transmitter codes in memory. Use the following learn routine to add transmitters to the system or to change button assignments if desired.

If the system was previously programmed using the 998T Bitwriter®, the learn routine may be locked. If the siren generates one long chirp when attempting to program the unit, the learn routine is locked and must be unlocked using the 998T Bitwriter® before proceeding.



1. **Open a door.** (The GREEN wire, H1/3, or the VIOLET, H1/5 must be connected.)



2. **Turn the ignition on.**



3. **Select the receiver channel:** Press and release the Valet/Program button the number of times necessary to access the desired channel.

NOTE: If adding a remote, a button must be taught to the unit in the Auto/learn Standard (Step 1) or Lock/Arm (Step 2) position prior to programming other channels.

Press and hold the Valet/Program button once more. The siren will chirp and the LED will flash the number of times corresponding to the channel that is accessed.

Valet Step	Function	Wire Color
1	Auto/Learn Standard	
2	Lock/Arm/Panic On/Panic Off	
3	Unlock/Disarm/Panic Off	
4	Channel 2	RED/WHITE
5	Channel 3	WHITE/BLUE
6	Channel 4	VIOLET/BLACK
7	Channel 5	WHITE/BLACK
8	Channel 6	GREY/BLACK
9	Arm/Disarm/Panic	
10	Panic	
11	Delete All Transmitters	

*NOTE: For Auto Learn Configurations, see *Transmitter Configurations* section of this guide.



4. **Press the transmitter button:** While holding the Valet/Program button, press the button from the transmitter that you wish to assign to the selected channel. The unit will chirp indicating successful programming. It is not possible to teach a transmitter button to the system more than once.

Step #11: If any button from a known transmitter is programmed to Step 11, all transmitters will be erased from memory and the system features will revert to the default settings. This is useful in cases where one of the customer's transmitters is lost or stolen. This will erase any lost or stolen transmitters from the system's memory. It can also be used to start from scratch if the transmitter buttons were programmed incorrectly.



5. **Release.** Once the code is learned, the Valet/Program button can be released.

To exit the learn routine:

One long chirp indicates that Learn Routine has been exited. Learn Routine will be exited if any of the following occurs:













- Ignition is turned off.
- Door is closed.
- Valet/Program button is pressed too many times.
- More than 15 seconds elapse between steps.

Transmitter Configurations

The Auto Learn functions in the Transmitter/Receiver Learn Routine will program the transmitter buttons to the following configuration.

Standard Configuration



When programmed for standard configuration, the transmitter buttons are assigned to the following functions:

	operates	Lock, Arm, Panic On, Panic Off, Sensor Bypass
	operates	Unlock, Disarm, Panic Off
	operates	Channel Output 2 and Silent Mode
	operates	Panic On, Off
 and 	operate	Channel Output 2
 and 	operate	Channel Output 3
 and 	operate	Channel Output 4
 and 	operate	Channel Output 5

Ultrasonic Sensor Adjustment

Enter Ultrasonic Sensor Adjustment Mode

note: The system must be disarmed, and doors and other protected entries (zones 1 and 6) must be closed, and ignition (zone 5) must be off.

1. Press and hold **AUX** and  buttons for 6-seconds.
2. The siren will emit one long chirp and LCD remote will emit 1 long beep when the buttons on the remote are released (or 1 vibrate, or 1 long beep with vibrate) to indicate entry into ultrasonic adjustment mode.
3. The word “SENSOR” on the LCD transmitter above the adjustment indicator bar  will flash for the duration of adjustment mode. The sensor bar indicator will display the current sensor sensitivity setting. Increased sensitivity is indicated as the bar fills to the right.



note: The LCD transmitter will also have the zone 2 icon and the alarm icon indicating.

4. The in-vehicle LED will illuminate continuously for the duration of adjustment mode.

note: When the sensor adjustment mode is entered, all other timers and operations are bypassed until adjustment mode is exited.

Adjusting the Ultrasonic Sensor Setting

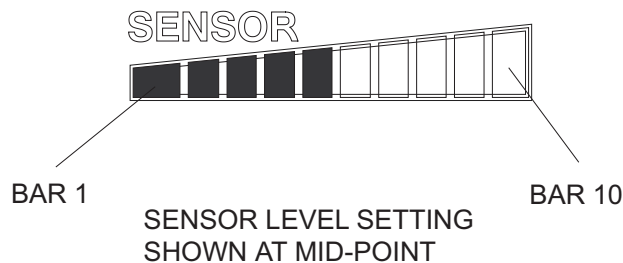
note: When adjusting the Ultrasonic sensor, ensure that the vehicle’s doors are closed.


1. **Increase Sensitivity**—Press and release the  button to increase sensor sensitivity by one step. The LCD transmitter beeps 2-times for each step increased in adjustment (and/or 1 vibrate if programmed). When the sensor adjustment reaches maximum sensitivity when the indicator bar is filled completely to the right . There are 21 levels of adjustment, during sensor adjustment these levels are displayed on the indicator bar as listed below.

note: When arm and disarm are programmed to a single button, then the AUX button is used to increase the sensitivity of the sensor.

Sensor Adjustment Level	Bar Number and Indication
0	no bars displayed
1	bar 1 flashes
2	bar 1 solid
3	bar 1 solid, bar 2 flashes
4	bar 1-2 solid
5	bar 1-2 solid, bar 3 flashes
6	bar 1-3 solid
7	bar 1-3 solid, bar 4 flashes
8	bar 1-4 solid
9	bar 1-4 solid, bar 5 flashes
10	bar 1-5 solid
11	bar 1-5 solid, bar 6 flashes
12	bar 1-6 solid
13	bar 1-6 solid, bar 7 flashes
14	bar 1-7 solid
15	bar 1-7 solid, bar 8 flashes
16	bar 1-8 solid
17	bar 1-8 solid, bar 9 flashes
18	bar 1-9 solid
19	bar 1-9 solid, bar 10 flashes
20	bar 1-10 solid

note: When the sensor adjustment mode is exited, the bar indicator will indicate continuously. For example if level 15 was being set (bar 1-7, bar 8 flashing), upon exiting adjustment mode bars 1-8 will indicate continuously.



2. **Decrease Sensitivity**—Press and release the  button to decrease sensor sensitivity by one step. The siren will beep 1-time for each step decreased in adjustment (1 vibrate if programmed). The sensor adjustment reaches minimum sensitivity (sensor Off) when the indicator bar is empty



3. **Testing Sensor**—Move your arm through an open window as if attempting to remove an item from the back seat. The siren will chirp once each time it detects movement. If it does not pick up the movement increase sensitivity to the desired level, if it picks up the movement too easily decrease the sensitivity. The sensitivity level should be left at the minimum setting where the sensors pick up movement in the rear seating area.

When satisfied with the final sensitivity setting, sensor adjustment mode can be exited.

Exit Ultrasonic Sensor Adjustment Mode


The adjustment mode will be exited if:

- ▶ No input from transmitter for 15-seconds.
- ▶ No input from sensitivity testing for 15-seconds.
- ▶ The ignition is turned On.
- ▶ The Valet button is pressed.

The siren and LCD remote will emit 1 long beep and the LED will extinguish when adjustment mode is exited.

Reset Ultrasonic Sensor to Default Setting

The sensor can be restored to a default setting of 10 to facilitate re-adjustment at any time while in adjustment mode.

1. Simultaneously press the **AUX** and  buttons.
2. The LCD remote will emit 3 quick beeps to indicate the sensor has been reset to level 10 (mid-range).
3. The system returns to sensor adjustment mode for further adjustment, if required.

Diagnostics

The system's microprocessor monitors and reports all active and violated zones when arming and disarming. LED flashes indicate the active or violated zone; siren chirps indicate system status.

Arm/Disarm Diagnostics

The number of siren chirps will indicate the status of the system when arming and disarming. For information on which zone is active or has been violated refer to the *Table of Zones*.

System Status Chirps

Action	Number of Chirps	Description
Arm	1	System armed
Arm	1 (3 second delay), 1	System armed with Bypass Notification
Disarm	2	System disarmed
Disarm	4	System disarmed with Tamper Alert

Table of Zones

Zone No.	Trigger type	Input description
1	Instant	H1/4 BLUE wire. Connect to boot pin switch.
2	Instant	On-board Ultrasonic sensors.
3	Instant	Door switch circuit. H1/3 GREEN or H1/5 VIOLET.
4	Multiplexed Input 1	Inputs shorter than 0.8 seconds will trigger a Warning Zone response, while inputs longer than 0.8 seconds will instantly trigger the full alarm sequence.
5	Progressive	Ignition input.
6	Bonnet trigger	H1/6 GREY
7	Multiplexed input 2	Inputs shorter than 0.8 seconds will trigger a Warning Zone response, while inputs longer than 0.8 seconds will instantly trigger the full alarm sequence.

Note: The Warn Away® response on zones 4 or 7 do not report on the LED.

Long Term Event History

The system stores the last six full triggers in memory. These are not erasable. Each time the unit sees a full trigger, the oldest of the six triggers in memory will be replaced by the new trigger. To access long term event history:



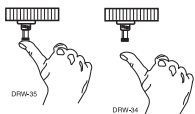
1. With the ignition off, press and HOLD the Valet/Program button.



2. Turn on the ignition.



3. Release the Valet/Program button.



4. Press and release the Valet/Program button within five seconds. The LED will flash in groups indicating the last six zones that triggered the unit. The LED will flash for one minute or until the ignition is turned off.

Note: The Warning Zone triggers are not stored in memory and will not be reported.

Optional Vehicle Recovery System (VRS®)

VRS® is an optional feature designed to disable a vehicle during a carjacking event. It must be programmed in the features menu for it to work. For operational instructions when testing VRS® refer to the Owner's Guide.

Rapid Resume Logic

Rapid Resume Logic ensures that when the system is powered up it will return to the same state it was in when power was disconnected. For a full description of Rapid Resume Logic refer to the Owner's Guide.



Certificate of Installation

After installation you must fill out the certificate of installation. Once you have filled out all information on the certificate the customer must sign and date it. Distribute the copies as follows:

- White (top) copy - customer
- Blue copy - customer's insurance broker
- Pink copy - Directed Electronics, UK office
- Green copy - installing dealer

Troubleshooting and System Testing

Checking arm/disarm.

- Use the  and  buttons on both remote controls to arm and disarm the alarm.
- Repeat both tests at required distance to test range.

Testing disarming without a remote

1. Arm the alarm or let the system AutoImmobilise.
2. Turn the ignition On.
3. Enter the preset PIN code as described in the Programming Instructions section.
4. If the correct code was entered you should hear two chirps and the system should disarm.

Testing Ignition Trigger

- Arm alarm.
- Turn ignition on, alarm should trigger after the progressive chirp sequence.
- Disarm alarm.

Testing the Pin protection switch(es)

- Arm the alarm system.
- Open the boot or bonnet or doors in turn to make sure all perimeter protection switches operate.
- The alarm should trigger. Adjust Pin switch if required.

The system will not arm or disarm

- Make sure the ignition is not turned on or that the ignition input wire does not have 12volts.
- Make sure the systems 15 amp main fuse has been installed or is not blown.
- Make sure the external receiver has been plugged into the main control module correctly.

The Valet switch does not work

- Make sure that it is plugged in. (See the Plug-In Harness section of this guide.)
- Check the System Features Learn Routine for the default PIN code.
- Has the PIN code been changed?

The status LED does not work

- Make sure that it is plugged in. (See the Plug-In Harness section of this guide.)

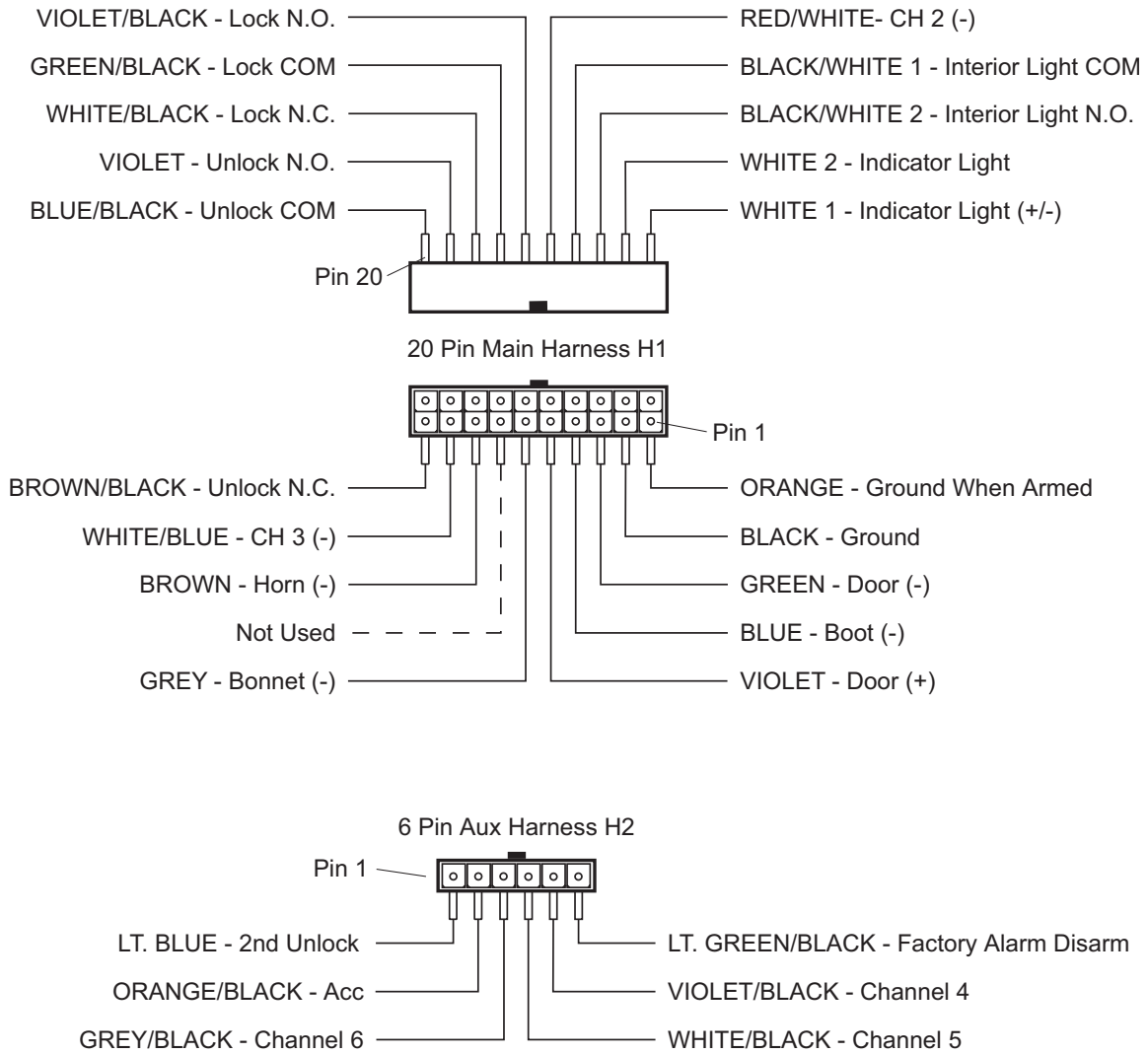
Closing the door triggers the system, but opening the door does not.

- Have you correctly identified the type of door switch system? This happens often when the wrong door input has been used.

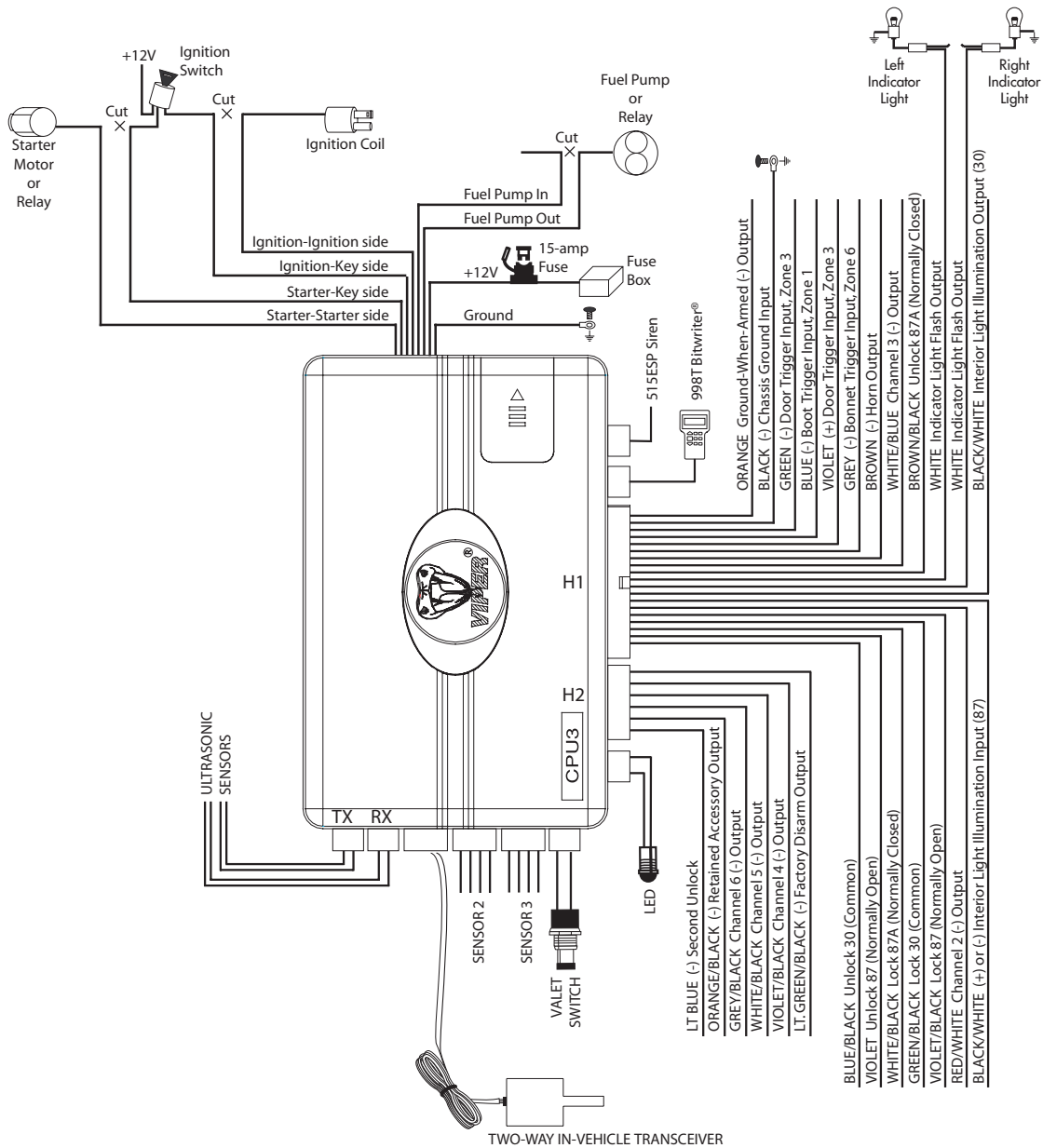
System will not passively arm until it is remotely armed and then disarmed

- Are the door inputs connected? Is a BLUE H1/4 wire connected to the door trigger wire in the vehicle? Either the GREEN H1/3 or the VIOLET H1/5 should be used instead.

Wiring Quick Reference Guide H1 & H2



Wiring Quick Reference Guide



NOTE: The current draw for the entire security system when armed is 20mA. Powersupply voltage is 9 to 18 volts.

NOTE: The extra sensor port inputs (2 and 3) can only be assigned to the LCD transmitter using the Bitwriter®. These sensors are: ultrasonic, tilt, glass breakage, and field disturbance sensors.