

## Assembly Guide: Python Responder LE

ASSY-LE-CAS-PYTHON 2009-03

Below are instructions for disassembly and assembly of the Python Responder LE, and for the companion 1 way remotes. This guide applies to remote controls with Replacement Part Number RPN 7251P or 7152P

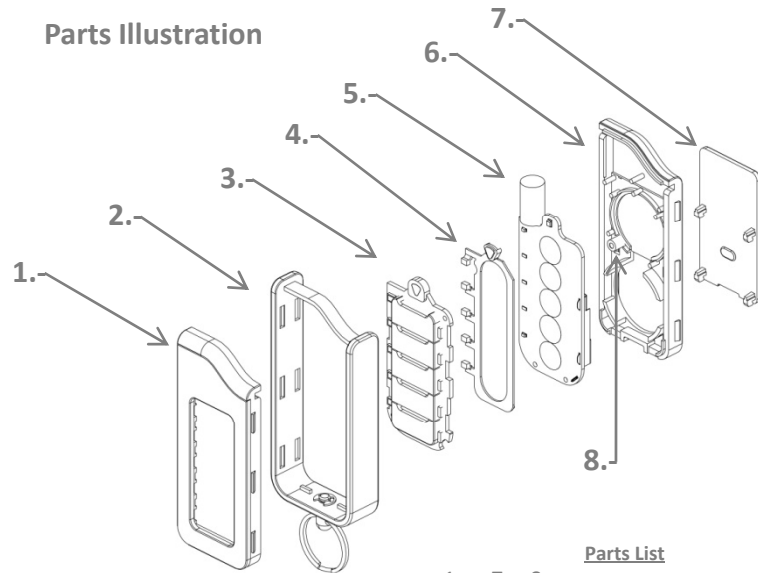
### Finding the RPN, replacement part number

Turn your remote control over and remove the battery door. With the door removed, read the silk-screen on the back of the case to find the RPN, as shown below.

1-800-274-0200  
**RPN 7251P**  
 IC: 1513A-7251  
 FCC D: EZSDEI7251  
 BATTERY: CR2016

1-800-274-0200  
**RPN 7152P**  
 IC: 1513A-7152  
 FCC D: EZSDEI7152  
 BATTERY: CR2032

### Parts Illustration

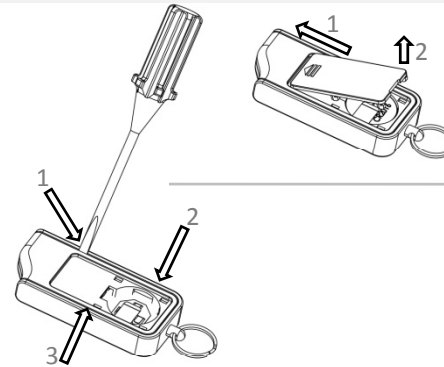


#### Parts List

1. Top Cover
2. Bezel
3. Keypad
4. Light Pipe
5. PCB (Printed Circuit Board)
6. Bottom Housing
7. Battery Door
8. Elastomer

500-100115

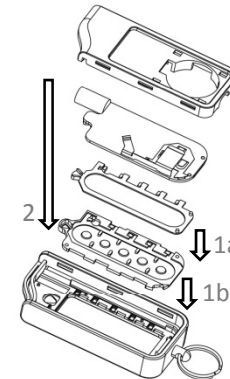
### Disassembly Instructions



1. Remove the battery door by sliding up (1) and removing from the bottom (2) as illustrated to the left.

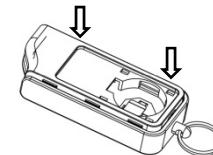
2. Using a 0.125" flat head screw driver, pry the top and bottom apart in the order indicated to the left. You will hear a pop sound when they separate. Be careful not to damage the PCB board, there are several fragile parts that are easily damaged.

### Assembly Instructions

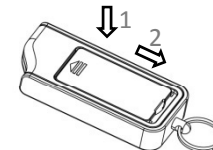


1. Place the key pad in the Top Cover. If the clear Light pipe has separated from the Keypad, make sure it is securely coupled to the keypad.

2. Place the PCB on top of the rubber key pad with the battery side up, the green board should sit inside the plastic top cover. Be careful not to damage any part of the PCB or its antenna.



3. Place bottom housing on top of assembly and make sure the Elastomer (item 8) is on the inside of the bottom housing. Press the bottom housing into the assembly.



4. Replace the batteries and insert the battery door. Slide it down to lock it in place.