



HIGH PERFORMANCE CAR AUDIO

ORION[™]



Amplifier

MODEL
C05001
C08001

OWNER'S MANUAL

TABLE OF CONTENTS

English	1
Français	15
Español	25
Deutsch	35
Italiano	45
Português	55
Introduction	2
What's in the Box	2
Practice Safe Sound™	2
Tools of the Trade	3
End Panel Layouts	3
CEA Specifications	4
High Level Harnesses	5
Amplifier Settings	5
Signal Input and Output Configurations	5
Input Gain	5
Phase Switches	5
Auxiliary Output Configurations	5
Internal Crossover Configurations	5
Low-Pass Crossover	6
Remote Gain Operation	6
Amplifier Wiring	6
Power Connections for the Orion Cobalt CO5001 and CO8001	6
Speaker Connections	6
Bridging	7
Amplifier Installation	7
Choosing Mounting Locations	7
Passenger Compartment	7
Trunk Compartment	8
General Precautions and Installation Tips	8
Step By Step Installation	8
Set Up and Troubleshooting	9
Testing the System	9
Adjusting the Sound of the System	10
Troubleshooting Tips	11
Specifications	13
Warranty	Back Cover

INTRODUCTION

Thank you for your purchase of a Orion Cobalt power amplifier. Each Orion Cobalt amplifier is designed to be the leader in its class offering the most power, advanced features, and extreme ease of use. In high-end sound systems or high SPL systems, Orion Cobalt amplifiers will give you years of trouble-free performance.

- **CO5001 - 250 Watt** - single-channel Class A/B amplifier with built-in fully variable low-pass crossover. Equipped with remote gain, the CO5001 is capable of one-channel operation with a maximum power of 500 W into 2 ohm.
- **CO8001 - 400 Watt** - single-channel Class A/B amplifier with built-in fully variable low-pass crossover. Equipped with optional remote gain, the CO8001 is capable of one-channel operation with a maximum power of 800 Watts into 2 ohm.

The installation of all Orion Cobalt components will determine the overall performance result. Improper installation will not only limit the performance of your Orion Cobalt system but also potentially compromise the reliability of this amplifier. To ensure proper sonic results and component reliability, please refer to your authorized dealer for installation assistance or advice. If you decide to perform the installation yourself, be sure to read the entire manual before beginning the installation.

WHAT'S IN THE BOX

- (1) Amplifier
- (4) #8 self-tapping black Phillips head pan head screws
- (1) Amplifier installation and operation manual
- (1) RGC-2 Remote bass control

PRACTICE SAFE SOUND™

Continuous exposure to sound pressure levels over 100dB may cause permanent hearing loss. High power automotive sound systems can generate sound pressure levels in excess of 130dB. When playing your system at high levels, please use hearing protection and avoid long term exposure.

Model: _____

Serial Number: _____

Date of Purchase: _____

TOOLS OF THE TRADE

Listed next are the majority of the tools required to perform an installation. Having the proper tools will make the installation that much easier. Some of these tools are necessities; some will just make the job easier.

- Allen Wrenches (2mm, 3mm & 4mm)
- Electric drill with assorted drill bits
- Heat shrink tubing
- Phillips and flat blade screw drivers
- Pliers (standard and needle nose)
- RTA (real time analyzer)
- Soldering iron and solder
- Utility knife
- Wire brush or sandpaper for chassis grounding
- Reference CD with 1 kHz Sine Wave at 0dB level (all bits high)
- DMM or VOM
- Grommets
- Marking pen
- Nylon tie straps
- Wire crimper
- Wire cutters
- Wire strippers

END PANEL LAYOUTS

Input Plate

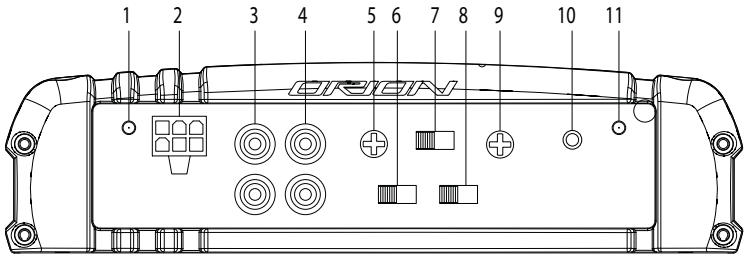


Figure 1
Figura 1
Abbildung 1

1. **Power LED** - When lit indicates that the amplifier is on.
2. **High Level Input** - Connect speaker output from factory radio to amplifier, will auto sense signal from radio and turn amplifier on when needed, turn off after 1 minute without signal.
3. **RCA Outputs** - provides a full range signal for easy connection to additional amplifiers.
4. **RCA Inputs** - Accepts RCA input from a source unit, preamplifier, or equalizer.
5. **Gain Control** - Continuously adjusts from 150mV to 8V input to obtain full power output.
6. **Phase Control Switch** - Allows for adjustment of phase and makes bridging amplifiers possible.
7. **LPF, FULL, Switch** - Selects either Lo-pass crossover or full range crossover.
8. **Bass Boost Switch** - Adjusts bass gain in three steps (0dB, 6dB, & 12dB).

9. **Lo-Pass Crossover Frequency Control** - adjusts the frequency of the crossover.
10. **Remote Bass Gain Jack** - connects RGC-2 (remote bass control).
11. **Status LED** - Will indicate any fault condition in amplifier, also lights briefly during muting phase of turn-on.

Output Plate

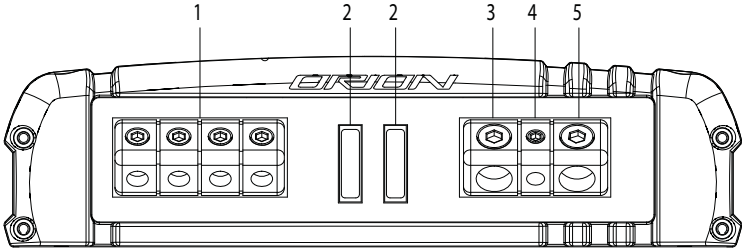


Figure 2
Figura 2
Abbildung 2

1. **Speaker Connections** - accepts up to 12 AWG speaker wire.
2. **2 ATC Fuses** - protects the amplifier from over current situations.
3. **Power Connections** - accepts up to 4 AWG power cables.
4. **REM Remote Turn-on Input** - turns on/off the amplifier when fed Switched 9 - 15 V+.
5. **Ground Connection** - accepts up to 4 AWG ground cable.

CEA SPECIFICATIONS

CO5001



Power Output: 175 Watts RMS x 1 at 4 ohms and < 1% THD+N
 Signal to Noise Ratio: -80 dBA (reference 1 Watt into 4 ohms)
 Additional Power: 250 Watts RMS x 1 at 2 ohms and < 1% THD+N

CO8001



Power Output: 300 Watts RMS x 1 at 4 ohms and < 1% THD+N
 Signal to Noise Ratio: -75 dBA (reference 1 Watt into 4 ohms)
 Additional Power: 400 Watts RMS x 1 at 2 ohms and < 1% THD+N

HIGH LEVEL HARNESSES

Do not connect the high level input connections to power, signal, or chassis ground as damage to the head-unit outputs may result. The high-level inputs are designed to work with either grounded or BTL speaker level outputs (found on most head units).

HIGH LEVEL CONNECTIONS

WIRE COLOR	INPUT CONNECTION
Black	Ground
White/Black	- Left channel
White	+ Left channel
Gray/Black	- Right channel
Gray	+ Right channel

AMPLIFIER SETTINGS

Signal Input and Output Configurations

The input section of the amplifier consists of a phase switch that sets the output configuration, gain controls, and RCA inputs. The input section makes it easy to adapt this amplifier to most system configurations.

Input Gain

The Orion Cobalt CO5001 and CO8001 amplifiers have level adjustments to allow for easy integration with any source unit. The input sensitivity can be adjusted from 200mV to 5V. Refer to *Testing the System* and *Adjusting the Sound of the System* sections of this guide for detailed instructions on setting the gain.

Phase Switches

- **0°** - leaves output unaffected. The output signal is in phase with the input signal.
- **180°** - inverts the output. The channel is 180° output of phase. This configuration is useful for inverting the phase of subwoofers to improve staging in a vehicle. This is also used when bridging two amplifiers into one speaker.

Auxiliary Output Configurations

The auxiliary outputs on Orion Cobalt amplifiers offer easy, unlimited system expansion. Routing signal from a source unit, pre-amplifier, or equalizer is a matter of connecting RCAs to the RCA Inputs and the RCA outputs to your next Orion Cobalt amplifier in the signal chain. The signal passes through a buffer stage so that several amplifiers can be daisy chained without signal loss or overloading of the source unit. This maximizes the signal output and minimizes the potential for system noise.

Internal Crossover

The crossover section of the Orion Cobalt CO5001 and CO8001 amplifiers is continuously variable and extremely flexible.

When using Orion Cobalt loudspeakers, minor deviations from the recommended frequency ranges can provide superior results depending on your speaker locations and your vehicle acoustics. Setting crossover frequencies higher than recommended will not cause damage and may provide superior sonic results depending on your system's performance goals. Refer to your

loudspeaker owner's manual for assistance in choosing the proper crossover frequencies for your system.

Low-Pass Crossover

The low-pass crossover is active with a 2nd order (12dB per octave) slope. The low-pass crossover is continuously variable from 50Hz to 500Hz.

Remote Bass Operation

The remote bass port provides easy remote access to the internal bass gain structure of the power amplifier. The bass gain is centered at 44Hz. The RGC-2 plugs into the amplifier via the 1/8" mini jack plug. The RGC-2 can be installed in the front of the vehicle to control the amplifier bass gain level. The RGC-2 can be used as a bass level control when used on an amplifier dedicated to subwoofers.

AMPLIFIER WIRING

Power Connections for the Orion Cobalt CO5001 and CO8001

- Orion Cobalt CO5001 Fuse Size: 2 x 20 AMP ATC / CO8001 Fuse Size: 2 x 30 AMP ATC
- Power connections accept up to 4 AWG wire.
- 4 AWG power and ground wire recommended for optimal performance.
- Connect 12V+ to the battery through fuse holder. This connection provides +12V main power to the amplifier.
- Power wire must be fused no more than 18" from battery.
- Ground amplifier to a good chassis ground as close as possible to the amplifier.
- Connect REM terminal to remote turn-on lead from source unit. This connection provides +12V power to turn-on the amplifier.
- Add extra ground wire between the negative terminal of the battery and the chassis.

Speaker Wiring Diagram CO5001/CO8001

The Orion Cobalt CO5001 and CO8001 amplifiers offer two positive and two negative output terminals for ease of connecting the speakers to the amplifier. Since these are mono amplifiers, the speaker connectors are paralleled internally. Each amplifier is stable to 2Ω.

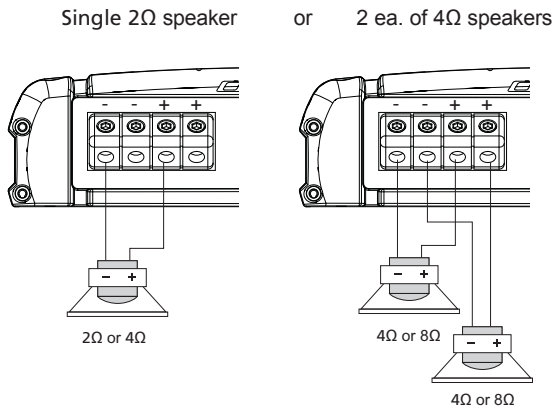


Figure 3
Figura 3
Abbildung 3

Bridging

For bridging into a single speaker load, the Orion Cobalt CO5001 and CO8001 have the ability to be bridged with another amplifier of the same model. To do this you must set the PHASE switch on the (slave) amp, move the phase switch from 0 to 180, exactly opposite of the master amp. Refer to the *Phase Switch* section of this guide.

Be sure to set all adjustment on both amplifiers exactly the same except for the phase switch. The phase switch on the master amplifier should be 0 and the slave amplifier should be 180. For the speaker connections, connect the positive (+) speaker lead from the speaker to the positive (+) speaker terminal of the master amplifier. On the negative (-) speaker connection, take the negative (-) speaker terminal of the master amplifier and connect it directly to the negative (-) speaker terminal of the (slave) amplifier. The remaining positive (+) speaker terminal of the (slave) amplifier must be connected to the negative (-) speaker lead from the speaker. The impedance of the speaker must not be less than 4 ohms

NOTE: For best results, connect both negative speaker terminals on the master amp to both negative terminals on the slave amp using at least 12 AWG cable.

2 ea. amplifiers bridged to 1 ea. 4Ω or 8Ω speaker

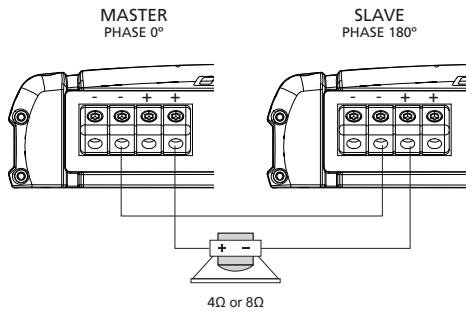


Figure 4
Figura 4
Abbildung 4

AMPLIFIER INSTALLATION

Choosing Mounting Locations

The location of your amplifier will depend on several important issues. Due to the low profile size of the Orion Cobalt amplifiers, there are many possible installation locations that will yield satisfactory amplifier performance. Always mount the amplifier in a place that protects the amplifier from the elements. In addition, mount the amplifier on a stable, flat surface.

NOTE: Mounting amplifiers upside down is not recommended and may cause premature thermal shutdown.

WARNING! Do not mount any amplifier in the engine compartment. Amplifiers are not designed to endure the harsh environment of the exterior elements.

Passenger Compartment

If you are going to mount the amplifier in the passenger compartment, make sure you have adequate room for ventilation. The amplifiers have been designed to make under-seat mounting possible. When mounting your amplifier under a seat or similar area, keep a minimum of 1" of clearance around the amplifier for adequate cooling.

Trunk Compartment

Mounting your amplifier in the trunk provides excellent performance as long as you do not restrict the airflow around the heatsink of the amplifier. For optimal results, mount the amplifier with as much clearance as possible. This type of mounting will yield the best cooling due to the convection effect of the amplifier chassis.

General Precautions and Installation Tips

WARNING! Be careful not to cut or drill into gas tanks, fuel lines, brake lines, hydraulic lines, vacuum lines, or electrical wiring when working on your vehicle.

Disconnect the vehicle's ground wire at the battery before making or breaking connections to the audio system's power supply terminals.

Do not use this amplifier unmounted. Failing to securely mount the amplifier can result in damage or injury, particularly in the event of an accident. An unmounted amplifier becomes a dangerous projectile in the event of a crash. Never mount the amplifier where it might get wet. Mount the amplifier so the wire connections will not be pulled. Route the wires where they will not be scraped, pinched or damaged in any fashion.

The +12V power supply wire must be fused as close as possible to the battery terminal, ideally within 18". Use the recommended fuse size or circuit breaker listed in the *Power Connections* section of this manual.

If you need to replace the fuse plugged into the side of the amplifier, replace the fuse with the same size ATC / MAXI type fuse that came with the amplifier. If you are not sure as to the correct value, refer to the *Power Connections* section of this manual for details. Using a higher current fuse may result in damage to the amplifier that is not covered under warranty.

NOTE: Make sure all the equipment in the system is turned off when making or breaking connections to the input RCAs or speaker terminals. Turn on the system and slowly turn up the volume control only after double checking all wire connections.

Power for systems with a single amplifier can be supplied by most automotive electrical systems. Systems with multiple amplifiers may require a higher capacity battery, alternator or the use of a storage capacitor. We strongly recommend the use of a Directed Audio Essentials power capacitor with an extra battery in larger stereo systems.

Orion Cobalt amplifiers generate a certain amount of heat as part of normal operation. Be sure the area around the amplifier is unobstructed to allow adequate air circulation. Remember, beach blankets, last week's laundry, school books and homework papers located on top of the amplifier do not improve air flow and may become damaged.

Step By Step Installation

- Step 1 Determine the location for the amplifier. Refer to the *Choosing Mounting Locations* section of this guide for detailed information.
- Step 2 Decide on the system configuration for your amplifier. For system suggestions, refer to the *Speaker Connections* section of this guide.
- Step 3 Run all the wires from the amplifier location to the speakers, source unit, and battery. Do not connect the battery at this time. Be sure to run RCAs and power and speaker wires away from factory electrical wires and system as they pose a great potential for induced system noise.
- Step 4 Pre-drill amplifier mounting holes. Be sure to "think before you drill". Gas tanks, fuel lines, and other obstructions have a nasty way of hiding themselves. For best

results use a marking pen to mark the mounting holes and pre-drill these holes with a standard 1/8" drill bit.

- Step 5 Mount the amplifier. Make sure the amplifier is mounted on a flat surface. If this is not possible, do not over tighten the screws so that the chassis of the amplifier is twisted or bent.
- Step 6 Turn the vehicle's key switch to the off position.
- Step 7 Disconnect the vehicle's battery ground terminal.
- Step 8 Connect power wires to the amplifier (ground first, then 12 V(+) and REM).
- Step 9 Connect the RCA and speaker wires to the amplifier. Check the quality of your speakers and signal connections. This will determine the ultimate performance of your Orion Cobalt amplifier. Refer to the *Signal Input and Output Level Controls* and *Speaker Connections* sections of this guide for correct wiring instructions.
- Step 10 Reconnect the ground terminal to the battery after power, speaker, and RCA connections are completed.
- Step 11 Set crossovers. Refer to the *Internal Crossover Configuration* section of this manual for detailed instructions.
- Step 12 Once satisfied that all connections and settings are correct, install the fuse located near the vehicle's battery and proceed to the *Testing the System* section of this manual.

WARNING! Never exceed the recommended fuse size of this amplifier. Failure to do so will result in the voiding of your warranty and possible damage to the amplifier.

SET UP AND TROUBLESHOOTING

Testing the System

After you have completed the installation, you need to test the system. This will help ensure years of trouble-free operation. Please refer to the listed steps below when testing the sound of your Orion Cobalt system.

- Step 1 Check all the wiring connections to be sure they are correct and secure.
- Step 2 Turn the signal source volume control all the way down. Set any tone controls to their flat or defeated positions. This includes the loudness control.
- Step 3 Turn the level controls of the amplifier to their minimum positions.
- Step 4 Turn the source unit on. Check to see if the power LED located on the connection side of the amplifier is on. If not, please refer to the *Power Connections* and the *Troubleshooting Tips* sections of this manual for instructions.
- Step 5 If using an aftermarket source unit, turn the level controls of the amplifier about one quarter of a turn. Slowly increase the volume level of the source unit to so that you can hear the output of the system. If no sound is heard or if the output is distorted, turn the system off immediately. Refer to the *Power Connections* and the *Troubleshooting Tips* sections of this manual to solve your installation problems.
- Step 6 Check to make sure the output for each channel is correct. If the active crossovers are used, check to make sure that each output is correct from the amplifier. When using active crossovers on midrange and tweeters, do not use crossover frequencies lower than recommended. If the system is not configured properly, refer to the *Internal Crossover Configuration* section of this manual and take corrective action.
- Step 7 If the output is clear and undistorted, continue to the *Adjusting the Sound of the*

Adjusting the Sound of the System

Once you have checked the system's operation, adjust the sound of the system. Adjusting the sound of the system is accomplished by setting the level controls and adjusting the internal crossovers.

- Step 1 Turn the signal source volume control all the way down. Set any tone controls to their flat or defeated positions. This includes the loudness control.
- Step 2 Turn the level controls of the amplifier to their minimum positions.
- Step 3 Choose music with high dynamic content that you like, with which you are familiar, and will be used most often in the system.
- Step 4 Turn the source unit's volume control up to its highest undistorted output level. If you lack test equipment, this point occurs between 3/4 to full volume depending on the quality of your source unit. Listen for any audible distortion. If any distortion is audible, reduce the volume of the source unit until you have an undistorted output. Leave the volume control at this position during your system tuning.
- Step 5 While listening to your chosen dynamic music, turn up the level control corresponding to the midrange output until you hear slight distortion and turn the level control back slightly for an undistorted output. Depending on your system, the midrange and tweeter output may be on the same output channels.
- Step 6 Turn up the level control corresponding to the tweeter output until you hear slight distortion and turn back the level control slightly for an undistorted output. Depending on your system the midrange and tweeter output may be on the same output channels.
- Step 7 Fine-tune the output level between midrange and tweeters. Refer to the *Internal Crossover Configuration* section of this manual for detailed instructions.
- Step 8 Repeat Steps 5-7 for the rear speakers. If you do not have rear speakers continue to Step 10.
- Step 9 Set levels between the front and rear midrange and tweeters for optimum front/rear balance.
- Step 10 Turn up the level control corresponding to the woofer output until you hear slight distortion and turn back the level control slightly for an undistorted output.
- Step 11 Fine-tune the output level between satellite speakers and the woofers. Refer to the *Internal Crossover Configuration* section of this manual for detailed instructions. If using an RGC-2, adjust the level to the bass output of the woofer to match the sonic requirements of the system.
- Step 12 Enjoy your awesome Orion Cobalt sound system.

Troubleshooting Tips

Symptom	Probable Cause	Action To Take
No output		
	Low or no remote turn-on	Check remote turn-on voltage at voltage amplifier and repair as needed.
	Fuse blown	Check power wire's integrity and check for speaker shorts. Fix as needed and replace fuse.
	Power wires not connected	Check power wire and ground connections and repair or replace as needed.
	Audio input not connected.	Check RCA connections and repair or replace as needed.
	Speaker wires not connected	Check speaker wires and repair or replace as needed.
	Speaker are blown	Check system with known working speaker and repair or replace speakers as needed.
Audio cycles on and off		
	Thermal protection engages when amplifier heat sink temperature exceeds 50° C (122° F)	Make sure there is proper ventilation for amplifier and improve ventilation as needed.
	Loose or poor audio input	Check RCA connections and repair or replace as needed.
	Loose power connections	Check power wires and ground connections and repair or replace as needed.
Distorted output		
	Amplifier level sensitivity set too high exceeding maximum capability of amplifier	Readjust gain. Refer to the <i>Adjusting the Sound of the System</i> section of this manual for detailed instructions.
	Impedance load to amplifier too low	Check speaker impedance load, if below 2Ω, rewire the speakers to achieve higher impedance.
	Shorted speaker wires	Check speaker wires and repair or replace as needed.
	Speaker not connected to amplifier properly.	Check speaker wires and repair or replace as needed. Refer to the <i>Speaker Connections</i> section of this manual for detailed instructions
	Internal crossover not set properly for speakers	Readjust crossovers. Refer to the <i>Internal Crossover Configuration</i> section of this manual for detailed instructions.
	Speakers are blown	Check system with known working speakers and fix or replace as needed.
Poor bass response		
	Speakers wired with wrong polarity causing cancellation at low frequencies.	Check speaker polarity and fix as needed.

Symptom	Probable Cause	Action To Take
Poor bass response		
	Crossover set incorrectly	Reset crossovers. Refer to the <i>Internal Crossover Configuration</i> section of this manual for detailed instructions.
	Impedance load at amplifier is too low.	Check speaker impedance load if below 2Ω , rewire speakers to achieve higher impedance .
Battery fuse blowing		
	Short in power wire or incorrect wiring.	Check power wires and ground connections and repair or replace as needed.
	Fuse used is smaller than recommended.	Replace with proper fuse size.
	Actual current exceeds fuse rating.	Check speaker impedance load if below 2Ω , rewire speakers to achieve higher impedance .
Amplifier fuse blowing		
	Fuse used is smaller than recommended.	Replace with proper fuse size.
	Impedance load at amplifier is too low.	Check speaker impedance load if below 2Ω , rewire speakers to achieve higher impedance .
	Speaker is blown with shorted outputs	Check system with known working speakers and fix or replace as needed.
	Actual current exceeds fuse rating	Check speaker impedance load if below 2Ω , rewire speakers to achieve higher impedance .

SPECIFICATIONS

Amplifier Section	CO5001	CO8001
Power Output in Watts RMS, 4 Ohms	175 x 1	300 x 1
Power Output in Watts RMS, 2 Ohms	250 x 1	400 x1
Externally Bridgeable	yes	yes
Remote Gain Function	yes	yes
Distortion at Rated Power	< 0.9% THD+N	< 0.9% THD+N
Frequency Response	20Hz to 30kHz +0, -1dB	20Hz to 30kHz +0, -1dB
Linear Bandwidth	20Hz to 20kHz ±3dB	20Hz to 20kHz ±3dB
Damping Factor	> 150	> 150
Input Sensitivity	rms	rms
Input Impedance	80kΩ	80kΩ
Fuse Type	(2) 20 Amp ATC	(2) 30 Amp ATC
Dimensions	11.4" x 8.1" x 2.1"	13.4" x 8.1" x 2.1"
Weight	6.3 lbs.	7.3 lbs.
Crossover Section		
Low Pass Crossover	Continuously variable/ 2nd Order	Continuously variable/ 2nd Order
Low Pass Frequency Range	50Hz to 500Hz	50Hz to 500Hz

Continuous 2Ω load 20Hz to 200Hz, < 0.1% THD, with input voltage at 13.8VDC.

AGENCEMENT DES PANNEAUX D'EXTRÉMITÉ

Panneau d'entrée (figure 1)

1. **DEL d'alimentation** - Allumée, indique que l'amplificateur est en marche.
2. **Entrée haut niveau** - Raccorde la sortie du haut-parleur de la radio d'origine à l'amplificateur, détecte le signal de la radio et allume l'amplificateur au besoin, l'éteint après une minute sans signal.
3. **Sorties RCA** - Pour un signal à gamme étendue facilitant le raccord à des amplificateurs supplémentaires.
4. **Entrées RCA** - Acceptent entrées RCA d'une source, un préamplificateur ou un compensateur.
5. **Contrôle de gain** - Ajuste continuellement l'entrée de 150 mV à 8 V pour une sortie à pleine puissance.
6. **Commutateur de contrôle de phase** - Permet d'ajuster la phase et de brancher les amplificateurs en pont.
7. **Commutateur LPF/FULL** - Pour choisir la répartition passe-bas ou pleine gamme.
8. **Commutateur d'amplification des basses** - Ajuste les basses à trois niveaux (0 dB, 6 dB et 12 dB).
9. **Contrôle de fréquence du répartiteur passe-bas** - Ajuste la fréquence du répartiteur.
10. **Prise de contrôle à distance des basses** - Pour raccorder le RGC-2 (contrôle à distance des basses).
11. **DEL d'état** - Indique tout problème avec l'amplificateur, s'allume brièvement durant la phase silencieuse de la mise en marche.

Diagramme de référence: page 3

Panneau de sortie (figure 2)

1. **Raccords de haut-parleurs** - Accepte du câble de haut-parleur jusqu'à 12 AWG.
2. **2 fusibles ATC** - pour protéger l'amplificateur contre les surcharges.
3. **Raccords d'alimentation** - Accepte du câble d'alimentation jusqu'à 4 AWG.
4. **Entrée d'allumage à distance REM** - Allume et éteint l'amplificateur sur réception de signal commuté 9-15 V+.
5. **Raccord de mise à la masse** - Accepte du câble de mise à la masse jusqu'à 4 AWG.

Diagramme de référence: page 4

SPÉCIFICATIONS DE L'ACE

CO5001



Sortie: 175 Watts RMS x 1 à 4 ohms, taux d'harmoniques et bruit < 1%

Rapport signal/bruit: -80 dBA (référence 1 Watt dans 4 ohms)

Sortie additionnelle: 250 Watts RMS x 1 à 2 ohms, taux d'harmoniques et bruit < 1%

CO8001



Sortie: 300 Watts RMS x 1 à 4 ohms, taux d'harmoniques et bruit < 1%

Rapport signal/bruit: -75 dBA (référence 1 Watt dans 4 ohms)

Sortie additionnelle: 400 Watts RMS x 1 à 2 ohms, taux d'harmoniques et bruit < 1%

FAISCEAUX À HAUT NIVEAU

Ne raccordez pas les entrées à haut niveau à l'alimentation, au signal ou à la masse: cela pourrait endommager les sorties de l'unité de tête. Les entrées à haut niveau sont conçues pour être utilisées avec des sorties de haut-parleurs BTL ou mises à la masse (disponibles sur la plupart des unités de tête).

RACCORDS À HAUT NIVEAU

COULEUR DU FIL	RACCORD D'ENTRÉE
Noir	Mise à la masse
Blanc/noir	- Canal gauche
Blanc	+ Canal gauche
Gris/noir	- Canal droit
Gris	+ Canal droit

RÉGLAGES DE L'AMPLIFICATEUR

Configurations d'entrée et sortie du signal

La section d'entrée de l'amplificateur comporte un commutateur de phase qui règle la configuration de sortie, les contrôles de gain et les entrées RCA. Elle facilite l'adaptation de l'amplificateur à la plupart des configurations de systèmes.

Gain d'entrée

Les amplificateurs Orion Cobalt CO5001 et CO8001 peuvent ajuster leurs niveaux pour s'intégrer facilement à tout récepteur. La sensibilité d'entrée est réglable de 200 mV à 5 V. Consultez les sections Essai du système et Réglage sonore du système du présent guide pour des instructions détaillées sur le réglage du gain.

Commutateurs de phase

- **0°** - ne change pas la sortie, qui reste en phase avec le signal d'entrée.
- **180°** - inverse la sortie. La sortie du canal est déphasée de 180°. Cette configuration sert à inverser la phase des caissons de basses pour améliorer l'activation dans un véhicule. Elle permet aussi de brancher en pont deux amplificateurs dans un haut-parleur.

Configurations des sorties auxiliaires

Les sorties auxiliaires des amplificateurs Orion Cobalt permettent une expansion facile et illimitée du système. Il suffit pour acheminer le signal d'une source, d'un préamplificateur ou d'un compensateur de raccorder des fiches RCA aux entrées RCA et les sorties RCA à l'amplificateur Orion Cobalt suivant dans la chaîne. Le signal passe par un étage-tampon pour permettre de relier plusieurs amplificateurs en guirlande sans perte de signal ni surcharge du récepteur. Ceci maximise la sortie du signal et minimise le risque de bruit généré par le système.

Configuration du répartiteur interne

La répartition des amplificateurs Orion Cobalt CO5001 et CO8001 offre une variation continue et est extrêmement flexible.

Avec les haut-parleurs Orion Cobalt, des déviations mineures des gammes de fréquence recommandées peuvent donner des résultats supérieurs, selon l'emplacement des haut-parleurs et l'acoustique de votre véhicule. Des fréquences de répartition supérieures aux recommandations ne causeront aucun dommage et pourraient produire des résultats supérieurs selon les objectifs de rendement de votre système. Consultez le manuel de votre haut-parleur pour vous aider à choisir les fréquences de répartition appropriées pour votre système.

Répartiteur passe-bas

Le répartiteur passe-bas est actif sur une pente au second degré de 12 dB par octave. Le répartiteur passe-bas est réglable en continu de 50 Hz à 500 Hz.

Contrôle à distance des basses

Le port de contrôle à distance des basses permet un accès à distance facile à la structure interne de gain des basses fréquences de l'amplificateur. Le gain de basses est centré à 44 Hz. Le RGC-2 se branche dans l'amplificateur par la mini-prise 1/8". Le RGC-2 peut être installé à l'avant du véhicule pour contrôler le niveau de gain de basses de l'amplificateur. Le RGC-2 peut servir de contrôle du niveau des basses sur un amplificateur dédié aux caissons de basses.

CÂBLAGE DE L'AMPLIFICATEUR

Raccords d'alimentation pour les Orion Cobalt CO5001 et CO8001

- Fusibles Orion Cobalt CO5001: 2 x 20 AMP ATC / Fusibles CO8001: 2 x 30 AMP ATC
- Les raccords d'alimentation acceptent du câble jusqu'à 4 AWG.
- Câbles d'alimentation et mise à la masse 4 AWG recommandés pour rendement optimal.
- Raccordez 12V+ à la batterie par le porte-fusible pour fournir une alimentation principale +12V à l'amplificateur.
- Le fusible du câble d'alimentation doit être au maximum à 18" de la batterie.
- Utilisez une bonne mise à la masse au châssis pour l'amplificateur, aussi près que possible de l'amplificateur.

- Raccordez la borne REM à la borne d'allumage à distance du récepteur pour fournir l'alimentation +12V requise pour allumer l'amplificateur.
- Mettez du câble de mise à la masse supplémentaire entre la borne négative de la batterie et le châssis.

Câblage des haut-parleurs CO5001/CO8001

Les amplificateurs Orion Cobalt CO5001 and CO8001 disposent de deux bornes positives et deux bornes négatives de sortie pour le raccord des haut-parleurs à l'amplificateur. Ces amplificateurs étant mono, les raccords de haut-parleur sont mis en parallèle à l'interne. Chaque amplificateur est stable à 2 Ω .

Diagramme de référence: page 6 (figure 3)

Branchement en pont

Pour le branchement en pont d'un seul haut-parleur, les Orion Cobalt CO5001 et CO8001 peuvent être branchés en pont avec un autre amplificateur du même modèle. Pour cela, vous devez changer le commutateur PHASE de l'amplificateur asservi de 0 à 180, à l'opposé de l'amplificateur maître. Consultez la section Commutateurs de phase du présent guide.

Assurez-vous que tous les réglages (sauf la commutation de phase) soient les mêmes sur les deux amplificateurs. La phase de l'amplificateur maître doit être à 0 et celle de l'amplificateur asservi à 180. Pour ce qui est des haut-parleurs, raccordez la borne positive (+) du haut-parleur à la borne de haut-parleur positive (+) de l'amplificateur maître. Raccordez directement la borne de haut-parleur négative (-) de l'amplificateur maître à la borne de haut-parleur négative (-) de l'amplificateur asservi. La borne de haut-parleur positive (+) de l'amplificateur asservi doit être raccordée à la borne négative (-) du haut-parleur. L'impédance du haut-parleur doit être d'au moins 4 ohms.

NOTE: Pour de meilleurs résultats, raccordez les deux bornes négatives de haut-parleur de l'amplificateur maître aux deux bornes négatives de l'amplificateur asservi avec du câble d'au moins 12 AWG.

Diagramme de référence: page 7 (figura 4)

INSTALLATION DE L'AMPLIFICATEUR

Choix de l'emplacement du montage

L'emplacement de votre amplificateur dépend de plusieurs facteurs importants. Le profil bas des amplificateurs Orion Cobalt permet le choix de plusieurs emplacements pour un bon rendement. Assurez-vous de monter l'amplificateur de manière à le protéger des éléments. Montez-le sur une surface stable et plate.

NOTE: Le montage sens dessus dessous n'est pas recommandé: il pourrait causer un arrêt dû à la surchauffe.

ATTENTION! Ne montez aucun amplificateur dans le compartiment moteur. Ils ne sont pas conçus pour endurer les épreuves des éléments extérieurs.

Espace du passager

Pour monter l'amplificateur dans l'espace du passager, assurez-vous qu'il y a assez d'espace pour la ventilation. Il est possible de le monter sous le siège. Pour ce faire, ou pour tout emplacement similaire, assurez-vous de disposer d'un espace minimum de 1" autour de l'amplificateur pour

un refroidissement adéquat.

Coffre

Le montage dans le coffre produira d'excellents résultats pourvu que vous ne limitiez pas la circulation d'air autour du dissipateur thermique de l'amplificateur. Pour de meilleurs résultats, donnez à l'amplificateur autant d'espace libre que possible. L'effet de convection du châssis de l'amplificateur assurera un refroidissement optimal pour ce type de montage.

Précautions générales et conseils d'installation

ATTENTION! Faites attention à ne pas couper ni percer le réservoir de carburant, les conduits d'essence, les conduites de frein, les conduites hydrauliques, les conduites à dépression ou le câblage électrique quand vous travaillez sur votre véhicule.

Déconnectez le câble de mise à la masse de la batterie du véhicule avant de faire ou défaire des raccords aux bornes d'alimentation du système audio.

N'utilisez pas cet amplificateur avant de l'avoir monté. Faute d'un montage sécuritaire, des dégâts et blessures sont possibles, surtout en cas d'accident. Un amplificateur non monté est un projectile dangereux en cas de collision. Ne montez jamais un amplificateur là où il pourrait être mouillé. Assurez-vous qu'on ne pourra tirer sur les câbles raccordés. Placez les câbles là où ils ne pourront être raclés, pincés ou endommagés en aucune manière.

Le fusible du câble d'alimentation +12V doit être aussi près que possible de la borne de la batterie, idéalement 18" ou moins. Utilisez le calibre de fusible ou disjoncteur recommandé dans la section Raccords d'alimentation du présent manuel.

S'il faut remplacer le fusible branché sur le côté de l'amplificateur, utilisez le même type et le même calibre de fusible ATC / MAXI que celui que vous remplacez. Si vous n'êtes pas sûr de la valeur correcte, Consultez la section Raccords d'alimentation pour plus de détails. Un fusible de calibre plus élevé peut causer à l'amplificateur des dégâts non couverts par la garantie.

NOTE: Assurez-vous que tout l'équipement du système est éteint avant de faire ou défaire des raccords aux bornes d'entrée RCA ou de haut-parleur. Allumez le système et montez lentement le volume seulement après avoir revérifié tous vos raccords de câbles.

La plupart des systèmes électriques d'automobiles peuvent alimenter un système à un seul amplificateur. Des amplificateurs multiples pourraient exiger une batterie à capacité plus élevée, un alternateur ou un condensateur-magasin. Pour les plus gros systèmes, nous recommandons fortement un condensateur de puissance Directed Audio Essentials et une batterie supplémentaire.

Les amplificateurs Orion Cobalt génèrent une certaine chaleur en fonctionnement normal. L'espace entourant l'amplificateur devrait être libre pour permettre une circulation d'air adéquate. Les serviettes de plage, la lessive de la semaine dernière, les manuels scolaires et les devoirs empilés sur l'amplificateur nuisent à la circulation et peuvent subir des dommages.

Installation étape par étape

- Étape 1 Choisissez l'emplacement de l'amplificateur. Consultez la section Choix de l'emplacement du montage du présent guide pour plus de détails.
- Étape 2 Choisissez la configuration de système pour votre amplificateur. Consultez la section Câblage des haut-parleurs du présent guide pour des suggestions.
- Étape 3 Acheminez tous les câbles de l'amplificateur aux haut-parleurs, à la source et à la batterie. Ne raccordez pas la batterie maintenant. Faites passer les câbles

RCA, d'alimentation et de haut-parleurs loin des câbles électriques et du système d'origine pour réduire la possibilité de bruit de système induit.

- Étape 4 Pré-percez les trous de montage de l'amplificateur. Soyez prudent! Les réservoirs à carburant, conduits d'essence et autres obstacles peuvent être cachés. Pour de meilleurs résultats, marquez les trous de montage avec un marqueur et pré-percez avec une mèche standard 1/8".
- Étape 5 Montez l'amplificateur. Assurez-vous de choisir une surface bien plate. Si c'est impossible, ne serrez pas trop les vis pour éviter de tordre ou forcer le châssis de l'amplificateur.
- Étape 6 Tournez la clé de contact du véhicule en position éteinte.
- Étape 7 Déconnectez la borne de mise à la masse de la batterie du véhicule.
- Étape 8 Raccordez les câbles d'alimentation à l'amplificateur (mise à la masse d'abord, puis 12 V (+) et REM).
- Étape 9 Raccordez les câbles RCA et de haut-parleurs à l'amplificateur. Vérifiez la qualité de ces raccords, d'eux dépend le rendement de votre amplificateur Orion Cobalt. Consultez les sections Configurations d'entrée et sortie du signal et Câblage des haut-parleurs du présent guide pour un branchement correct.
- Étape 10 Raccordez la borne de mise à la masse de la batterie après avoir complété les raccords d'alimentation, de haut-parleurs et RCA.
- Étape 11 Réglez les répartiteurs. Consultez la section Configuration du répartiteur interne du présent manuel pour des instructions détaillées.
- Étape 12 Après avoir bien vérifié tous les raccords et réglages, installez le fusible près de la batterie du véhicule et passez à la section Essai du système du présent manuel.

ATTENTION! Ne dépassez jamais le calibre recommandé du fusible de l'amplificateur. Cela annulerait votre garantie et pourrait causer des dommages à l'amplificateur.

RÉGLAGE ET DÉPANNAGE

Essai du système

Une fois l'installation finie, et pour assurer des années de fonctionnement sans problèmes, il faut tester le système. Suivez les étapes ci-dessous pour tester le son de votre système Orion Cobalt.

- Étape 1 Vérifiez que tous les raccords de câbles sont corrects et solides.
- Étape 2 Baissez à zéro le volume de la source. Mettez les contrôles de tonalité en position neutre ou inactive, incluant le contrôle de contour.
- Étape 3 Réglez le volume de l'amplificateur au minimum.
- Étape 4 Allumez la source. Vérifiez que la DEL d'alimentation sur le côté des raccords de l'amplificateur est allumée. Sinon, consultez les sections Raccords d'alimentation et Conseils de dépannage du présent manuel.

- Étape 5 Si la source n'est pas d'origine, réglez le volume de l'amplificateur à un quart de tour. Augmentez lentement le volume de la source jusqu'à ce que vous entendiez le son. S'il n'y en a pas ou en cas de distorsion, éteignez immédiatement le système. Consultez les sections Raccords d'alimentation et Conseils de dépannage du présent manuel pour corriger votre installation.
- Étape 6 Vérifiez que la sortie de chaque canal est correcte. Si les répartiteurs actifs sont utilisés, vérifiez que chaque sortie de l'amplificateur est correcte. Pour des répartiteurs actifs sur les haut-parleurs médiaux et d'aigus, n'utilisez pas des fréquences de répartition inférieures à celles recommandées. Si le système est mal configuré, consultez la section Configuration du répartiteur interne du présent manuel et faites les corrections requises.
- Étape 7 Si le son est clair et sans distorsion, passez à la section Réglage sonore du système du présent manuel.

Réglage sonore du système

Maintenant que le système fonctionne, il faut régler le son. Pour cela, il faut ajuster les contrôles de niveau et les répartiteurs internes.

- Étape 1 Baissez à zéro le volume de la source. Mettez les contrôles de tonalité en position neutre ou inactive, incluant le contrôle de contour.
- Étape 2 Réglez le volume de l'amplificateur au minimum.
- Étape 3 Choisissez une musique au contenu dynamique que vous aimez, qui vous est familière et qui sera souvent utilisée dans votre système.
- Étape 4 Montez le volume de la source au niveau exempt de distorsion le plus élevé. Si vous n'avez pas d'équipement de test, et dépendant de la qualité de la source, ce sera entre $\frac{3}{4}$ et plein volume. Écoutez pour déceler toute distorsion. Si vous la détectez, baissez le volume de la source jusqu'à ce qu'elle disparaisse. Laissez le contrôle à cette position pour continuer de régler le système.
- Étape 5 Tout en écoutant votre musique favorite, montez le volume correspondant à la sortie médiale jusqu'à ce que vous entendiez une petite distorsion, puis baissez-le juste un peu pour éliminer cette distorsion. Sur certains systèmes, les sorties médiale et aiguë peuvent se trouver sur les mêmes canaux de sortie.
- Étape 6 Montez le volume correspondant à la sortie aiguë jusqu'à ce que vous entendiez une petite distorsion, puis baissez-le juste un peu pour éliminer cette distorsion. Sur certains systèmes, les sorties médiale et aiguë peuvent se trouver sur les mêmes canaux de sortie.
- Étape 7 Faites l'accord fin du niveau de sortie entre les médiales et les aiguës. Consultez à cet effet la section Configuration de répartiteur interne.
- Étape 8 Répétez les étapes 5 à 7 pour les haut-parleurs arrière. Si vous n'en avez pas, passez à l'étape 10.
- Étape 9 Réglez les niveaux entre les médiales et aiguës avant et arrière pour un équilibre avant/arrière optimal.
- Étape 10 Montez le volume correspondant à la sortie des graves jusqu'à ce que vous entendiez une petite distorsion, puis baissez-le juste un peu pour éliminer cette distorsion.

Étape 11 Faites l'accord fin du niveau de sortie entre les enceintes satellites et les haut-parleurs de graves. Consultez à cet effet la section Configuration de répartiteur interne. Si vous utilisez un RGC-2, ajustez le niveau vers la sortie de basses du haut-parleur de graves pour l'accorder aux exigences sonores du système.

Étape 12 Profitez bien de votre extraordinaire système stéréo Orion Cobalt.

Conseils de dépannage

Symptôme	Cause probable	À faire
Aucun son		
	Allumage à distance faible ou absent	Vérifiez le voltage de l'allumage à distance à l'amplificateur et corrigez au besoin.
	Fusible sauté	Vérifiez l'intégrité du câble d'alimentation et la présence de court-circuits de haut-parleurs. Réparez au besoin et remplacez le fusible
	Câbles d'alimentation non raccordés	Vérifiez le câble d'alimentation et les mises à la masse. Réparez/remplacez au besoin
	Entrée audio non raccordée	Vérifiez les raccords RCA. Réparez ou remplacez au besoin
	Câbles de haut-parleurs non raccordés	Vérifiez les câbles de haut-parleurs. Réparez ou remplacez au besoin.
	Haut-parleurs défectueux	Vérifiez avec un haut-parleur fonctionnel. Réparez ou remplacez au besoin.
Le son est intermittent		
	La protection thermique se déclenche quand le dissipateur thermique de l'amplificateur dépasse 50° C (122° F)	Vérifiez la ventilation de l'amplificateur et améliorez-la au besoin.
	Entrée audio desserrée ou de mauvaise qualité	Vérifiez les raccords RCA. Réparez ou remplacez au besoin.
	Raccords d'alimentation desserrés	Vérifiez les câbles d'alimentation et les mises à la masse. Réparez/remplacez au besoin.
Distorsion dans la sortie		
	Sensibilité de niveau de l'amplificateur trop élevée, au-delà de sa capacité	Réajustez le gain. Consultez la section Réglage sonore du système.
	Charge d'impédance à l'amplificateur trop basse	Vérifiez l'impédance du haut-parleur. Si inférieure à 2Ω, reconnectez les haut-parleurs pour augmenter l'impédance.
	Court-circuit dans les câbles de haut-parleurs.	Vérifiez les câbles de haut-parleurs. Réparez ou remplacez au besoin.
	Haut-parleur mal raccordé à l'amplificateur.	Vérifiez les câbles de haut-parleurs. Réparez ou remplacez au besoin. Consultez la section Câblage des haut-parleurs.
	Répartiteur interne mal réglé pour les haut-parleurs.	Réajustez les répartiteurs Consultez la section Configuration de répartiteur interne pour des instructions détaillées.

Haut-parleurs défectueux	Vérifiez avec des haut-parleurs fonctionnels. Réparez ou remplacez au besoin.
Pauvre réponse de basses	
Haut-parleurs raccordés à la mauvaise polarité, annulant des basses fréquences.	Vérifiez et réglez au besoin la polarité du haut-parleur.
Répartiteur mal réglé	Réajustez les répartiteurs Consultez la section Configuration de répartiteur interne pour des instructions détaillées.
Charge d'impédance à l'amplificateur trop basse	Vérifiez l'impédance du haut-parleur. Si inférieure à 2Ω , reconnectez les haut-parleurs pour augmenter l'impédance.
Fusible de la batterie sauté	
Court-circuit d'alimentation ou mauvais câblage	Vérifiez les câbles d'alimentation et les mises à la masse. Réparez/remplacez au besoin.
Calibre du fusible plus petit que recommandé	Remplacez par un fusible du bon calibre.
Courant réel supérieur à la capacité du fusible	Vérifiez l'impédance du haut-parleur. Si inférieure à 2Ω , reconnectez les haut-parleurs pour augmenter l'impédance.
Fusible de l'amplificateur sauté	
Calibre du fusible plus petit que recommandé	Remplacez par un fusible du bon calibre.
Charge d'impédance à l'amplificateur trop basse	Vérifiez l'impédance du haut-parleur. Si inférieure à 2Ω , reconnectez les haut-parleurs pour augmenter l'impédance.
Court-circuit aux sorties du haut-parleur	Vérifiez avec des haut-parleurs fonctionnels. Réparez ou remplacez au besoin.
Courant réel supérieur à la capacité du fusible	Vérifiez l'impédance du haut-parleur. Si inférieure à 2Ω , reconnectez les haut-parleurs pour augmenter l'impédance.

SPÉCIFICATIONS

Section amplificateur	CO5001	CO8001
Sortie en watts RMS, 4 ohms	175 x 1	300 x 1
Sortie en watts RMS, 2 ohms	250 x 1	400 x1
Branchement en pont externe	Oui	Oui
Gain à distance	Oui	Oui
Distorsion, puissance nominale	DHT+B < 0,9%	DHT+B < 0,9%
Réponse de fréquence	20Hz à 30kHz +0, -1dB	20Hz à 30kHz +0, -1dB
Bande passante linéaire	20Hz à 20kHz ±3dB	20Hz à 20kHz ±3dB
Facteur d'amortissement	> 150	> 150
Sensibilité d'entrée	rms	rms
Impédance d'entrée	80kΩ	80kΩ
Type de fusible	(2) 20 Amp ATC	(2) 30 Amp ATC
Dimensions	11.4" x 8.1" x 2.1"	13.4" x 8.1" x 2.1"
Poids	6.3 lbs.	7.3 lbs.
Section répartiteur		
Répartiteur passe-bas	Ajustement continu/ 2ème ordre	Ajustement continu/ 2ème ordre
Gamme de fréquences passe-bas	50Hz à 500Hz	50Hz à 500Hz

Charge continue 2Ω, 20 Hz à 200Hz, DHT < 0.1%, voltage d'entrée 13,8 VCC.

DISPOSICIONES DEL PANEL DE EXTREMO

Placa de entrada (figura 1)

1. **Luz indicadora LED de alimentación.** Cuando está iluminada, indica que el amplificador está encendido.
2. **Entrada de alto nivel.** Conecta la salida de altavoz del radio de fábrica al amplificador. Detecta la señal del radio y enciende el amplificador cuando es necesario. Apaga el amplificador después de un minuto sin señal.
3. **Salidas RCA.** Dan una gama completa de señales para facilitar la conexión a otros amplificadores.
4. **Entradas RCA.** Aceptan entradas RCA de una unidad fuente, preamplificador o ecualizador.
5. **Control de amplificación.** Se ajusta continuamente a entradas de 150 mV a 8 V para producir salida de potencia total.
6. **Selector de control de fase.** Permite ajustar la fase y hace posible conectar amplificadores en puente.
7. **Selector LPF, FULL.** Selecciona el crossover de pasabajas o el de gama completa de frecuencias.
8. **Selector de refuerzo de bajos.** Ajusta la amplificación de los bajos en tres pasos (0 dB, 6 dB y 12 dB).
9. **Control de frecuencia de crossover de pasabajas.** Ajusta la frecuencia del crossover.
10. **Conector de amplificación de bajos a distancia.** Conecta el RGC-2 (control remoto de bajos)
11. **Luz indicadora LED de estado.** Indica falla en el amplificador y también se ilumina brevemente durante la fase de silenciado del encendido.

Consulte el diagrama de la página 3

Placa de salida (figura 2)

1. **Conexiones de altavoz.** Aceptan cable de hasta calibre 12 AWG.
2. **2 fusibles ATC.** Protegen al amplificador contra los excesos de corriente.
3. **Conexiones de alimentación.** Aceptan cable de alimentación de hasta calibre 4 AWG.
4. **Entrada de encendido a distancia REM.** Enciende el amplificador cuando se le da una alimentación conmutable de 9 a 15 V+.
5. **Conexión a tierra.** Acepta cable de conexión a tierra de hasta calibre 4 AWG.

Consulte el diagrama de la página 4

ESPECIFICACIONES DE LA CEA

CO5001



Potencia de salida: 175 W RMS x 1 a 4 Ω y < 1% THD+N
Relación de señal a ruido: -80 dBA (Referencia: 1 W en 4 Ω)
Potencia adicional: 250 W RS x 1 a 2 Ω y < 1% THD+N

CO8001



Potencia de salida: 300 W RMS x 1 a 4 Ω y < 1% THD+N
Relación de señal a ruido: -75 dBA (Referencia: 1 W en 4 Ω)
Potencia adicional: 400 W RMS x 1 a 2 Ω y < 1% THD+N

ARNESES DE CABLEADO DE ALTO NIVEL

No conecte las entradas de alto nivel a la conexión a tierra de alimentación, señal o chasis, pues puede dañar las salidas de la unidad principal. Las entradas de alto nivel han sido diseñadas para funcionar con salidas de nivel de altavoz BTL o conectadas a tierra (que se encuentran en la mayoría de las unidades principales).

CONEXIONES DE ALTO NIVEL

COLOR DEL CABLE	INPUT CONNECTION
Negro	Conexión a tierra
Blanco/Negro	Canal izquierdo -
Blanco	Canal izquierdo +
Gris/Negro	Canal derecho -
Gris	Canal derecho +

CONFIGURACIONES DEL AMPLIFICADOR

Configuraciones de salida y entrada de señal

La sección de entrada del amplificador consta de un selector de fase que fija la configuración de salida, los controles de amplificación y las entradas RCA. La sección de entrada facilita la adaptación de este amplificador a la mayoría de las configuraciones de sistema.

Amplificación de entrada

Los amplificadores Orion Cobalt CO5001 y CO8001 tienen ajustes de nivel para facilitar la integración con cualquier unidad fuente. La sensibilidad de entrada se puede ajustar de 200 mV a 5 V. Consulte las secciones Prueba del sistema y Ajuste de sonido del sistema de esta guía para ver instrucciones detalladas de configuración de la amplificación.

Selectores de fase

- **0°** - No afecta la salida. La señal de salida está en fase con la señal de entrada.
- **180°** - Invierte la salida. El canal está 180° fuera de fase. Esta configuración es útil para invertir la fase de los subwoofers a fin de mejorar la escenificación de sonido en el vehículo. También se debe usar cuando se conecten dos amplificadores en puente con un altavoz.

Configuraciones de salida auxiliar

Las salidas auxiliares de los amplificadores Orion Cobalt ofrecen una expansión de sistema fácil e ilimitada. Encaminar una señal es cuestión de conectar las terminales RCA de una unidad fuente, preamplificador o ecualizador a las entradas y salidas RCA del siguiente amplificador Orion Cobalt de la cadena de señal. La señal pasa a través de una etapa de compensación para que varios amplificadores puedan conectarse en cadena sin pérdida de señal ni sobrecarga de la unidad fuente. Esto maximiza la salida de señal y minimiza la posibilidad de ruido en el sistema.

Crossover interno

La sección de crossover de los amplificadores Orion Cobalt CO5001 y CO8001 es continuamente variable y extremadamente flexible.

Cuando utilice altavoces Orion Cobalt, las pequeñas desviaciones de las gamas de frecuencias recomendadas pueden producir resultados de calidad superior, dependiendo de la ubicación de los altavoces y de la acústica del vehículo. Fijar frecuencias de crossover más altas que las recomendadas no causará daños y puede dar resultados sónicos de calidad superior, dependiendo de las metas de rendimiento de su sistema. Consulte el manual del propietario del altavoz para obtener asistencia en la selección de las frecuencias de crossover correctas de su sistema.

Crossover de pasabajas

El crossover de pasabajas funciona con una pendiente de segundo orden (12 dB por octava). El crossover de pasabajas es continuamente variable de 50 Hz a 500 Hz.

Funcionamiento del control remoto de bajos

El puerto de bajos a distancia da acceso fácil a distancia a la estructura interna de amplificación de bajos del amplificador de potencia. La amplificación de bajos está centrada a 44 Hz. El RGC-2 se enchufa en el amplificador por el conector de entrada en miniatura de 1/8 de plg. El RGC-2 se puede instalar en la parte de adelante del vehículo para controlar el nivel de amplificación de bajos del amplificador. El RGC-2 se puede utilizar como control de nivel de bajos cuando se utiliza en un amplificador dedicado a los subwoofers.

CABLEADO DEL AMPLIFICADOR

Conexiones de alimentación de los amplificadores Orion Cobalt CO5001 y CO8001

- Valor nominal de los fusibles de los amplificadores Orion Cobalt. CO5001: 2 ATC de 20 A c/u, CO8001: 2 ATC de 30 A c/u
- Las conexiones de alimentación aceptan cable de hasta calibre 4 AWG.
- Se recomienda cable de conexión a tierra y cable de alimentación de calibre 4 AWG para obtener un rendimiento óptimo.
- Conecte la terminal 12 V+ a la batería a través del portafusibles. Esta conexión da +12 V de alimentación principal al amplificador.

- El cable de alimentación debe tener un fusible a no más de 18 plg. de la terminal de la batería.
- Conecte a tierra el amplificador en un buen punto de conexión a tierra del chasis lo más cerca posible del amplificador.
- Conecte la terminal REM al conductor de encendido a distancia de la unidad fuente. Esta conexión da +12 V de alimentación para encender el amplificador.
- Agregue cable de conexión a tierra entre la terminal negativa de la batería y el chasis.

Diagrama de cableado de altavoces del CO5001/CO8001

Los amplificadores Orion Cobalt CO5001 y CO8001 ofrecen dos terminales de salida positivas y dos terminales de salida negativas para facilitar la conexión de los altavoces al amplificador. Como éstos son amplificadores monofónicos, los conectores de altavoz están conectados en paralelo internamente. Cada amplificador es estable a 2 Ω .

Consulte el diagrama de la página 6 (figura 3)

Conexión en puente

Para conectar en puente una sola carga de altavoz, los Orion Cobalt CO5001 y CO8001 se pueden conectar en puente con otro amplificador del mismo modelo. Para hacer esto, usted debe configurar el selector de fase (PHASE) del amplificador esclavo pasándolo de 0 a 180, lo cual lo dejará en la configuración exactamente opuesta a la del amplificador maestro. Consulte la sección Selector de fase de esta guía.

Asegúrese de dejar exactamente los mismos ajustes en ambos amplificadores, excepto el selector de fase. El selector de fase del amplificador maestro debe estar en 0 y el del amplificador esclavo en 180. Haga las siguientes conexiones de altavoz: Conecte el conductor de altavoz positivo (+) del altavoz a la terminal de altavoz positiva (+) del amplificador maestro. Conecte la terminal de altavoz negativa (-) del amplificador maestro directamente a la terminal de altavoz negativa (-) del amplificador esclavo. Las terminales de altavoz positivas (+) restantes del amplificador esclavo se deben conectar al conductor de altavoz negativo (-) del altavoz. La impedancia del altavoz no debe ser menos de 4 Ω

NOTA: Para obtener los mejores resultados, conecte las dos terminales de altavoz negativas del amplificador maestro a las dos terminales negativas del amplificador esclavo con cable de por lo menos 12 AWG.

Consulte el diagrama de la página 7 (figura 4)

INSTALACIÓN DEL AMPLIFICADOR

Selección de ubicaciones de montaje

La ubicación de su amplificador depende de varios asuntos importantes. Debido al pequeño tamaño de los amplificadores Orion Cobalt, hay muchas ubicaciones de montaje que producen un rendimiento satisfactorio. Monte siempre el amplificador en un lugar protegido contra los elementos. Además, móntelo en una superficie plana y estable.

NOTA: Se recomienda no montar los amplificadores invertidos, pues esto puede causar un apagado térmico prematuro.

¡ADVERTENCIA! No monte el amplificador en el compartimiento del motor. Los amplificadores

res no han sido diseñados para soportar el riguroso ambiente de los elementos exteriores.

Compartimiento de pasajeros

Si va a montar el amplificador en el compartimiento de pasajeros, deje suficiente espacio para la ventilación. El diseño de los amplificadores permite montarlos debajo de los asientos. Cuando monte el amplificador debajo del asiento, o en un lugar similar, deje un mínimo de 1 plg. de separación alrededor de todo el amplificador para que tenga un enfriamiento adecuado.

Maletero

Montar el amplificador en el maletero da un excelente rendimiento, con tal de que no se restrinja el flujo de aire alrededor del disipador térmico del amplificador. Para obtener resultados óptimos, monte el amplificador con la mayor cantidad de espacio posible a su alrededor. Este tipo de montaje produce el mejor enfriamiento debido al efecto de convección del chasis del amplificador.

Precauciones generales y sugerencias de instalación

¡ADVERTENCIA! Cuando trabaje en el vehículo, tenga cuidado de no cortar ni perforar el tanque de gasolina; las líneas de combustible, freno o vacío; las líneas hidráulicas o el cableado eléctrico.

Desconecte de la batería el cable de conexión a tierra del vehículo antes de hacer o deshacer conexiones a las terminales de suministro de alimentación del sistema de sonido.

No utilice este amplificador sin montarlo. No asegurar o montar firmemente el amplificador puede causar daños o lesiones, especialmente en caso de accidente. El amplificador sin montar se vuelve un proyectil peligroso en caso de choque. Nunca lo monte donde pueda mojarse. Móntelo de manera que los cables no se puedan desconectar. Encamine los cables por donde no vayan a ser raspados, aplastados o dañados de ninguna manera.

El cable de alimentación de +12 V debe tener un fusible lo más cerca posible de la terminal de la batería, idealmente a menos de 18 plg. de tal terminal. Utilice fusibles o interruptores automáticos del valor nominal recomendado en la sección Conexiones de alimentación de este manual.

Si necesita cambiar el fusible enchufado en el costado del amplificador, cámbielo por un fusible tipo ATC/MAXI del valor nominal del que vino con el amplificador. Si no está seguro del valor correcto, consulte la sección Conexiones de alimentación de este manual para ver los detalles. Utilizar un fusible de mayor valor nominal puede causarle al amplificador daños no cubiertos por la garantía.

NOTA: Asegúrese de que todo el equipo del sistema esté apagado cuando haga o deshaga conexiones a las terminales de altavoz o a las entradas RCA. Encienda el sistema y lentamente suba el control de volumen sólo después de verificar dos veces todas las conexiones de cables.

La mayoría de los sistemas eléctricos automotrices pueden suministrar la alimentación necesaria para los sistemas con un solo amplificador. Los sistemas con varios amplificadores pueden necesitar una batería o un alternador de mayor capacidad o un condensador de almacenamiento. Recomendamos enfáticamente instalar un condensador de alimentación de Directed Audio Essentials y una batería adicional en los sistemas estereofónicos grandes.

Los amplificadores Orion Cobalt generan cierta cantidad de calor como parte normal de su funcionamiento. El área alrededor del amplificador no debe estar obstruida para permitir una circulación de aire adecuada. Recuerde que las mantas de playa, la ropa para lavar de la semana

pasada, los libros escolares y los papeles de las tareas escolares colocados encima del amplificador no mejoran el flujo de aire y pueden dañarse.

Instalación paso a paso

- Paso 1. Determine la ubicación del amplificador. Consulte la sección Selección de ubicaciones de montaje de esta guía para ver información detallada.
- Paso 2. Decida qué configuración de sistema va a tener su amplificador. Para ver sugerencias de sistema, consulte la sección Conexiones de altavoz de esta guía.
- Paso 3. Encamine todos los cables desde la ubicación del amplificador hasta los altavoces, la unidad fuente y la batería. No conecte la batería en este momento. Pase los cables de altavoz, alimentación y RCA lo más lejos posible del sistema y los cables eléctricos de fábrica, pues presentan un gran potencial de ruido de sistema inducido.
- Paso 4. Haga los agujeros de montaje para el amplificador. Piense antes de taladrar. Los tanques de gasolina, las líneas de combustible y otras obstrucciones tienen la mala costumbre de esconderse. Para obtener los mejores resultados, marque la posición de los agujeros de montaje con un marcador y haga estos agujeros con una broca perforadora estándar de 1/8 de pulgada.
- Paso 5. Montaje del amplificador. El amplificador debe ir montado en una superficie plana. Si esto no es posible, no apriete en exceso los tornillos para que el chasis del amplificador no se tuerza o se doble.
- Paso 6. Pase la llave de encendido del vehículo a la posición de apagado.
- Paso 7. Desconecte la terminal de conexión a tierra de la batería del vehículo.
- Paso 8. Conecte los cables de alimentación al amplificador (primero la terminal a tierra, luego la de 12 V+ y finalmente la del control remoto, REM).
- Paso 9. Conecte los cables de altavoz y los cables RCA al amplificador. Verifique la calidad de las conexiones de señal y de altavoz. Esto determina en última instancia el rendimiento del amplificador Orion Cobalt. Consulte las secciones Controles de nivel de salida y entrada de señal y Conexiones de altavoz de esta guía para ver las instrucciones de cableado correctas.
- Paso 10. Vuelva a conectar la terminal de conexión a tierra de la batería después de hacer las conexiones RCA, de altavoz y de alimentación.
- Paso 11. Configure los crossovers. Consulte la sección Crossover interno de este manual para ver instrucciones detalladas.
- Paso 12. Una vez que esté satisfecho de que todas las conexiones y configuraciones son correctas, instale el fusible cerca de la batería del vehículo y proceda a la sección Prueba del sistema de este manual.

¡ADVERTENCIA! No exceda nunca el valor nominal del fusible recomendado para este amplificador. Hacerlo dará como resultado la anulación de la garantía y posible daño al amplificador.

CONFIGURACIÓN Y DETECCIÓN Y REPARACIÓN DE AVERÍAS

Prueba del sistema

Después de terminar la instalación, es necesario poner a prueba el sistema. Esto contribuirá a garantizar años de funcionamiento sin problemas. Consulte la lista de pasos que aparece abajo

cuando ponga a prueba el sonido de su sistema Orion Cobalt.

- Paso 1. Verifique todas las conexiones de cableado para asegurarse de que sean correctas y estén firmes.
- Paso 2. Baje el control de volumen de la fuente de señal hasta el mínimo. Fije los controles de tono, incluso el de sonoridad, en sus posiciones de anulación.
- Paso 3. Gire los controles de nivel del amplificador hasta sus posiciones de mínimo.
- Paso 4. Encienda la unidad fuente. Vea si la luz indicadora LED de alimentación, ubicada en el lado de las conexiones del amplificador, está encendida. Si no lo está, consulte las secciones Conexiones de alimentación y Sugerencias de detección y reparación de averías de este manual para ver las instrucciones.
- Paso 5. Si está utilizando una unidad fuente de posventa, gire los controles de nivel del amplificador aproximadamente un cuarto de vuelta a partir de la posición de mínimo. Aumente lentamente el nivel de volumen de la unidad fuente oyendo la salida del sistema. Si no oye ningún sonido, o si la salida está distorsionada, apague el sistema inmediatamente. Consulte las secciones Conexiones de alimentación y Sugerencias de detección y reparación de averías de este manual para resolver sus problemas de instalación.
- Paso 6. Asegúrese de que la salida de cada canal sea correcta. Si se usan los crossovers activos, verifíquelos para asegurarse de que cada salida del amplificador sea correcta. Cuando utilice crossovers activos en altavoces de gama de frecuencias medias y tweeters, no utilice frecuencias de crossover menores que las recomendadas. Si el sistema no está configurado correctamente, consulte la sección Crossover interno de este manual para tomar medidas correctivas.
- Paso 7. Si la salida es clara y sin distorsión, continúe con la sección Ajuste de sonido del sistema de este manual.

Ajuste de sonido del sistema

Una vez que haya verificado el funcionamiento del sistema, ajústelo el sonido. Esto se logra fijando los controles de nivel y ajustando los crossovers internos.

- Paso 1. Gire el control de volumen de la fuente de señal hasta el mínimo. Fije los controles de tono, incluso el de sonoridad, en sus posiciones de anulación.
- Paso 2. Gire los controles de nivel del amplificador hasta sus posiciones de mínimo.
- Paso 3. Escoja música con alto contenido dinámico que le guste, que le sea conocida y que vaya a reproducir con mayor frecuencia en el sistema.
- Paso 4. Gire el control de volumen de la unidad fuente hasta su mayor nivel de salida sin distorsión. Si no tiene equipo de prueba, este punto debe estar entre tres cuartos y el máximo de volumen, dependiendo de la calidad de la unidad fuente. Vea si hay distorsión audible. Si oye distorsión, reduzca el volumen de la unidad fuente hasta que la salida pierda la distorsión. Deje el control de volumen en esta posición mientras ajusta el sistema.
- Paso 5. Escuchando la música dinámica escogida, suba el control de nivel correspondiente a la salida de frecuencias medias hasta que oiga una ligera distorsión y luego baje levemente el control de nivel hasta que la distorsión desaparezca. Dependiendo del sistema, la salida de altavoz de frecuencias medias y de tweeter puede estar en los mismos canales de salida.
- Paso 6. Suba el control de nivel correspondiente a la salida de tweeter hasta que oiga una ligera distorsión y luego baje levemente el control de nivel hasta que la distorsión desaparezca. Dependiendo del sistema, la salida de altavoz de frecuencias medias y de tweeter puede estar en los mismos canales de salida.
- Paso 7. Haga ajustes menores al nivel de salida entre las frecuencias medias y los tweeters. Consulte la sección Crossover interno de este manual para ver instrucciones detal-

ladas.

- Paso 8. Repita los pasos 5 a 7 con los altavoces traseros. Si no tiene altavoces traseros, continúe con el paso 10.
- Paso 9. Fije los niveles entre los altavoces de frecuencias medias y los tweeters delanteros y traseros para lograr un equilibrio delantero/trasero óptimo.
- Paso 10. Gire el control de nivel correspondiente a la salida de woofer hasta que oiga una ligera distorsión y luego baje levemente el control de nivel hasta que la distorsión desaparezca.
- Paso 11. Haga ajustes menores al nivel de salida entre los altavoces satélite y los woofers. Consulte la sección Crossover interno de este manual para ver instrucciones detalladas. Si está usando un RGC-2, ajuste el nivel de la salida de bajos del woofer para que corresponda a los requisitos de sonido del sistema.
- Paso 12. Disfrute de su maravilloso sistema de sonido Orion Cobalt.

Sugerencias de detección y reparación de averías

Síntoma	Causa probable	Medidas a tomar
No hay salida		
	El encendido a distancia está bajo o no funciona	Verifique el voltaje de encendido a distancia en el amplificador de voltaje y repárelo según sea necesario.
	Fusible quemado	Verifique la integridad del cable de alimentación y vea si hay cortocircuitos en los altavoces. Repárelos según sea necesario y cambie el fusible.
	Los cables de alimentación no están conectados	Verifique las conexiones del cable de alimentación y del cable de conexión a tierra y repárelas según sea necesario.
	La salida de sonido no está conectada	Verifique las conexiones RCA y repárelas o cámbielas según sea necesario.
	Los cables de altavoz no están conectados	Verifique los cables de altavoz y repárelos o cámbielos según sea necesario.
	El altavoz está quemado	Verifique el sistema con un altavoz que funcione y repare o cambie los altavoces según sea necesario.
El sonido va y viene cíclicamente		
	La protección térmica se activa cuando la temperatura del disipador térmico supera los 50 °C (122 °F)	Asegúrese de que haya ventilación adecuada para el amplificador y mejore la ventilación según sea necesario.
	Entradas de sonido malas o flojas	Verifique las conexiones RCA y repárelas o cámbielas según sea necesario.
	Conexiones de alimentación flojas	Verifique los cables de alimentación y las conexiones a tierra y repárelas o cámbielas según sea necesario.
Salida distorsionada		
	La sensibilidad de nivel del amplificador es demasiado alta y excede la capacidad máxima del amplificador	Vuelva a ajustar la amplificación. Consulte la sección Ajuste de sonido del sistema de este manual para ver instrucciones detalladas.

La carga de impedancia al amplificador es demasiado baja	Verifique la carga de impedancia de los altavoces; si está por debajo de 2Ω , vuelva a cablear los altavoces para lograr mayor impedancia.
Cortocircuito en los cables de altavoz.	Verifique los cables de altavoz y repárelos o cámbielos según sea necesario.
El altavoz no está conectado correctamente al amplificador	Verifique los cables de altavoz y repárelos o cámbielos según sea necesario. Consulte la sección Conexiones de altavoz de este manual para ver instrucciones detalladas.
El crossover interno no se ha fijado correctamente para los altavoces	Vuelva a ajustar los crossovers. Consulte la sección Crossover interno de este manual para ver instrucciones detalladas.
Los altavoces están quemados	Verifique el sistema con altavoces que funcionen y repare o cambie los altavoces quemados según sea necesario.
Mala respuesta de bajos	
Los altavoces cableados con la polaridad equivocada causan cancelación a frecuencias bajas	Verifique la polaridad de los altavoces y cámbiela según sea necesario
El crossover se ha configurado incorrectamente	Vuelva a ajustar los crossovers. Consulte la sección Crossover interno de este manual para ver instrucciones detalladas.
La carga de impedancia en el amplificador es demasiado baja	Verifique la carga de impedancia de los altavoces; si está por debajo de 2Ω , vuelva a cablear los altavoces para lograr mayor impedancia.
El fusible de la batería se quema	
Cortocircuito en el cable de alimentación o cableado es incorrecto	Verifique los cables de alimentación y de conexión a tierra y repárelos según sea necesario.
El valor nominal del fusible es menor de lo recomendado	Cambie el fusible por uno de valor nominal apropiado.
La corriente real excede el valor nominal del fusible	Verifique la carga de impedancia de los altavoces; si está por debajo de 2Ω , vuelva a cablear los altavoces para lograr mayor impedancia.
El fusible del amplificador se quema	
El valor nominal del fusible es menor de lo recomendado	Cambie el fusible por uno de valor nominal apropiado.
La carga de impedancia al amplificador es demasiado baja	Verifique la carga de impedancia de los altavoces; si está por debajo de 2Ω , vuelva a cablear los altavoces para lograr mayor impedancia.
El altavoz está quemado y tiene un cortocircuito en las salidas	Verifique el sistema con altavoces que funcionen y repare o cambie los altavoces quemados según sea necesario.
La corriente real excede el valor nominal del fusible	Verifique la carga de impedancia de los altavoces, si está por debajo de 2Ω vuelva a cablear los altavoces para lograr mayor impedancia.

ESPECIFICACIONES

Sección de amplificador	CO5001	CO8001
Potencia de salida en W RMS, 4 Ω	175 x 1	300 x 1
Potencia de salida en W RMS, 2 Ω	250 x 1	400 x1
Se puede conectar en puente externamente	sí	sí
Función de amplificación a distancia	sí	sí
Distorsión a la potencia nominal	< 0.9% THD+N	< 0.9% THD+N
Respuesta de frecuencias	20Hz a 30kHz +0, -1dB	20Hz a 30kHz +0, -1dB
Ancho de banda lineal	20Hz a 20kHz ± 3 dB	20Hz a 20kHz ± 3 dB
Coeficiente de amortiguamiento	> 150	> 150
Sensibilidad de entrada	rms	rms
Impedancia de entrada	80k Ω	80k Ω
Tipo de fusible	2 ATC de 20 A c/u	2 ATC de 30 A c/u
Dimensiones	11.4 plg. x 8.1 plg. x 2.1 plg.	13.4 plg. x 8.1 plg. x 2.1 plg.
Peso	6.3 lbs.	7.3 lbs.
Sección de crossover		
Crossover de pasabajas	Continuamente variable / 2do. orden	Continuamente variable / 2do. orden
Gama de frecuencias de crossover	50Hz a 500Hz	50Hz a 500Hz

Carga continua de 2 Ω de 20 Hz a 200 Hz, < 0.1% THD, con voltaje de entrada a 13.8 V CC.

LAYOUT DER ENDPLATTEN

Anschlussplatte (abbildung 1)

1. **Netz-LED** - Leuchtet auf, wenn der Verstärker eingeschaltet ist.
2. **Hochpegeleingang** - Schließen Sie den Lautsprecherausgang des Autoradios am Verstärker an, und dieser Eingang erkennt automatisch ein Signal vom Radio und schaltet den Verstärker bei Bedarf ein bzw. nach 1 Minute ohne Signal wieder ab.
3. **RCA-Ausgänge** - Bieten Vollbereichssignal zum einfachen Anschluss an weitere Verstärker.
4. **RCA-Buchsen** - Für Signale von einem Autoradio, Vorverstärker oder Equalizer.
5. **Verstärkungsregler** - Passt den Eingang stufenlos von 150mV bis 8 V an, um die volle Ausgabeleistung zu erhalten.
6. **Phasenschalter** - Ermöglicht Einstellung der Phase und erlaubt es, Verstärker im Brückenmodus zu betreiben.
7. **Schalter LPF, FULL** - Wählt entweder Tiefpass- oder Vollbereich-Crossover.
8. **Bass-Boost-Schalter** - Stellt die Bassverstärkung auf eine von drei Stufen (0 dB, 6 dB oder 12dB) ein.
9. **Tiefpass-Crossover-Frequenzregler** - Stellt die Crossover-Frequenz ein.
10. **Buchse für Bass-Ferneinstellung** - Zum Anschluss von RGC-2 (Bass-Fernbedienung).
11. **Status LED** - Zeigt jeden Fehlerzustand im Verstärker an und leuchtet auch während der Stummschaltphase des Einschaltens kurz auf.

Siehe Diagramm auf Seite 3

Ausgangsplatte (abbildung 2)

1. **Lautsprecheranschlüsse** - Für Lautsprecherdraht mit bis zu 12 AWG.
2. **2 ATC-Sicherungen** - Schützen des Verstärker vor Überspannung.
3. **Stromanschlüsse** - Für Stromkabel mit bis zu 4 AWG.
4. **REM-Fernanschlusungseingang** - Schaltet den Verstärker bei Ansteuerung mit 9-15 V+ ein/aus.
5. **Erdungsanschluss** - Für Erdungskabel mit bis zu 4 AWG.

Siehe Diagramm auf Seite 4

CEA-DATEN

CO5001



Leistung: 175 Watt RMS x 1 bei 4 Ohm und < 1 % Gesamtklirrfaktor und Verzerrungen
Rauschabstand: -80 dBA (Referenz 1 Watt an 4 Ohm)
Weitere Leistung: 250 Watt RMS x 1 bei 2 Ohm und < 1 % Gesamtklirrfaktor und Verzerrungen

CO8001



Leistung: 300 Watt RMS x 1 bei 4 Ohm und < 1 % Gesamtklirrfaktor und Verzerrungen
Rauschabstand: -75 dBA (Referenz 1 Watt an 4 Ohm)
Weitere Leistung: 400 Watt RMS x 1 bei 2 Ohm und < 1 % Gesamtklirrfaktor und Verzerrungen

HOCHPEGEL-LEITUNGSSYSTEME

Verbinden Sie die Hochpegel-Eingänge nicht mit den Strom-, Signal- oder Masseanschlüssen, da dies die Ausgänge des Autoradios beschädigen könnte. Die Hochpegel-Eingänge sind für geerdete oder BTL-Lautsprecherpegelausgänge (die es an den meisten Autoradios gibt) konzipiert.

HOCHPEGELANSCHLÜSSE

DRAHTFARBE	INPUT CONNECTION
Schwarz	Masse
Weiß/Schwarz	- Linker Kanal
Weiß	+ Linker Kanal
Grau/Schwarz	- Rechter Kanal
Grau	+ Rechter Kanal

VERSTÄRKEREINSTELLUNGEN

Signaleingangs- und -ausgangskonfigurationen

Der Eingangsbereich des Verstärkers besteht aus einem Phasenschalter, der die Ausgangskonfiguration, die Verstärkungsregler und die Cinch-Eingänge festlegt. Der Eingangsbereich erleichtert es, diesen Verstärker an die meisten Systemkonfigurationen anzuschließen.

Eingangs-Verstärkung

Die Verstärker Orion Cobalt CO5001 und CO8001 besitzen Pegelinstellungen, die die Integration mit jedem Autoradio erleichtern. Die Eingangsempfindlichkeit kann zwischen 200mV und 5V eingestellt werden. Detaillierte Anweisungen zur Einstellung des Verstärkungsfaktors finden Sie in den Abschnitten Systemtest und Systemsound einstellen in dieser Anleitung.

Phasenwahlschalter

- **0°** - Hat keine Auswirkung auf den Ausgang. Das Ausgangssignal ist mit dem Eingangssignal phasengleich.
- **180°** - Kehrt den Ausgang um. Der Kanal wird phasenmäßig um 180° umgekehrt. Diese Konfiguration ist nützlich, um die Phase von Subwoofern umzukehren, um das Klangbild in einem Fahrzeug zu verbessern. Wird auch verwendet, um zwei Verstärker im Brückenmodus mit einem Lautsprecher zu verbinden.

Konfiguration der Zusatzausgänge

Die Zusatzausgänge an Orion Cobalt-Verstärkern ermöglichen eine einfache, unbegrenzte Systemerweiterung. Um ein Signal von einem Autoradio, Vorverstärker oder Equalizer zu übertragen, muss man nur RCA-Kabel an die RCA-Eingänge und die RCA-Ausgänge an den nächsten Orion Cobalt-Verstärker in der Signalkette anschließen. Das Signal durchläuft einen Zwischenspeicher, so dass mehrere Verstärker ohne Signalverlust oder Überlastung des Autoradios verbunden werden können. Dies optimiert die Signalleistung und minimiert potenzielle Störungen.

Interne Crossover-Einheit

Die Crossover-Einheiten der Verstärker Orion Cobalt CO5001 und CO8001 sind stufenlos einstellbar und extrem flexibel.

Bei der Verwendung von Orion Cobalt-Lautsprechern können geringe Abweichungen von den empfohlenen Frequenzbereichen je nach Lautsprecherposition und Fahrzeugakustik zu hervorragenden Ergebnissen führen. Wenn Sie die Crossover-Frequenzen höher als empfohlen einstellen, schadet das nicht und kann sogar je nach den Leistungszielen für Ihr System besseren Klang bringen. Das Handbuch Ihres Lautsprechers gibt Ihnen Hinweise zur Wahl der korrekten Crossover-Frequenz für Ihr System.

Tiefpass-Crossover

Die Tiefpass-Crossover-Einheit ist aktiv, mit einer Flankensteilheit der 2. Stufe (12 dB/Oktave). Die Tiefpass-Crossover-Einheit ist zwischen 50 Hz und 500 Hz stufenlos verstellbar.

Basspegel-Fernbedienung

Der Bass-Fernbedienungsanschluss bietet einfachen Zugriff auf die interne Bassverstärkung des Endverstärkers. Die Bassverstärkung ist bei 44 Hz zentriert. Der RGC-2 wird über einen 1/8-Zoll-Ministecker an den Verstärker angeschlossen. Der RGC-2 kann vorne im Fahrzeug installiert werden, so dass man von dort den Bassverstärkungspegel kontrollieren kann. Bei einem an Subwoofer angeschlossenen Verstärker kann der RGC-2 als Basspegelregler dienen.

VERSTÄRKERANSCHLUSS

Stromanschluss für Orion Cobalt CO5001 und CO8001

- Orion Cobalt CO5001 Sicherungsgröße: 2 x 20 AMP ATC / CO8001 Sicherungsgröße: 2 x 30 AMP ATC
- Stromanschlüsse mit bis zu 4 AWG Drahtdicke.
- 4 AWG Strom- und Erdungskabel für optimale Leistung empfohlen.
- Durch Sicherungsfassung 12V+ an die Batterie anschließen. Dieser Anschluss liefert +12V Strom an den Verstärker.
- Das Stromkabel muss in höchstens 45 cm Entfernung von der Batterie abgesichert

werden.

- Der Verstärker muss an einem guten Chassis-Erdungspunkt geerdet werden, der nicht zu weit entfernt ist.
- Schließen Sie den REM-Anschluss an die Fernanschaltungsleitung des Autoradios an. Dieser Anschluss liefert +12V Strom zum Einschalten des Verstärkers.
- Fügen Sie zwischen dem negativen Batteriepol und dem Chassis ein weiteres Erdungskabel ein.

Lautsprecher-Anschlussdiagramm CO5001/CO8001

Die Verstärker Orion Cobalt CO5001 und CO8001 bieten zwei positive und zwei negative Ausgangsterminals, die den Lautsprecheranschluss erleichtern. Da es sich um Mono-Verstärker handelt, sind die Lautsprecheranschlüsse intern parallel geschaltet. Jeder Verstärker ist an 2 Ohm stabil.

Siehe Diagramm auf Seite 6 (abbildung 3)

Brückenmodus

Beim Anschluss an einen Lautsprecher im Brückenmodus können die Verstärker Orion Cobalt CO5001 und CO8001 mit einem weiteren Verstärker des gleichen Modells zusammengeschaltet werden. Hierzu müssen Sie den Phasenschalter am Slave-Verstärker von 0 auf 180 umstellen, also genau das Gegenteil des Master-Verstärkers. Siehe hierzu den Abschnitt Phasenwahlschalter.

Stellen Sie alle Werte an den Verstärkern gleich ein, mit Ausnahme des Phasenwahlschalters. Der Phasenwahlschalter am Master-Verstärker sollte auf 0 stehen, der am Slave-Verstärker auf 180. Verbinden Sie die positive (+) Lautsprecherleitung mit dem positiven (+) Lautsprecheranschluss am Master-Verstärker. Verbinden Sie den negativen (-) Lautsprecheranschluss am Master-Verstärker direkt mit dem negativen (-) Lautsprecheranschluss am Slave-Verstärker. Der verbleibende positive (+) Lautsprecheranschluss des Slave-Verstärkers muss an die negative (-) Zuleitung vom Lautsprecher angeschlossen werden. Die Impedanz des Lautsprechers muss mindestens 4 Ohm betragen

HINWEIS: Verbinden Sie am besten die beiden negativen Lautsprecheranschlüsse am Master-Verstärker mit beiden negativen Lautsprecheranschlüssen am Slave-Verstärker, wobei Sie ein Kabel von mindestens 12 AWG verwenden.

Siehe Diagramm auf Seite 7 (abbildung 4)

VERSTÄRKERINSTALLATION

Wahl der Einbaustelle

Der Einbauort des Verstärkers hängt von mehreren wichtigen Faktoren ab. Aufgrund der geringen Größe der Orion Cobalt-Verstärker gibt es viele mögliche Einbauorte, die eine ausreichende Verstärkerleistung gewährleisten. Installieren Sie den Verstärker stets an einer vor den Elementen geschützten Stelle. Zudem müssen Sie den Verstärker auf einer stabilen, ebenen Oberfläche installieren.

HINWEIS: Der umgekehrte Einbau von Verstärkern ist nicht zu empfehlen, da dies zu einem vorzeitigen Auslösen des Überhitzungsschutzes führen kann.

ACHTUNG! Installieren Sie den Verstärker nicht im Motorraum. Verstärker sind nicht für die raue Umgebung der Außenwelt konzipiert.

Fahrgastraum

Wenn Sie den Verstärker im Fahrgastraum installieren wollen, müssen Sie auf ausreichenden Freiraum zur Lüftung achten. Die Verstärker können unter den Sitzen eingebaut werden. Beim Einbau eines Verstärkers unter einem Sitz oder in einem ähnlichen Bereich müssen Sie mindestens 2,5 cm Freiraum um den Verstärker herum lassen, um ihn ausreichend zu kühlen.

Kofferraum

Der Einbau des Verstärkers im Kofferraum bietet hervorragende Leistung, solange der Luftstrom um den Kühlkörper des Verstärkers nicht behindert wird. Lassen Sie um den Verstärker möglichst viel Freiraum, um die besten Ergebnisse zu erzielen. Diese Einbaumethode bietet aufgrund des Konvektionseffekts des Verstärkergehäuses die beste Kühlung.

Allgemeine Vorsichts- und Installationshinweise

ACHTUNG! Passen Sie auf, dass Sie bei der Arbeit am Fahrzeug nicht Treibstofftanks, Treibstoffleitungen, Bremsleitungen, Hydraulikleitungen, Unterdruckleitungen oder Stromkabel durchschneiden oder anbohren.

Trennen Sie das Erdungskabel des Fahrzeugs an der Batterie, bevor Sie Verbindungen zu den Stromanschlüssen des Audiosystems herstellen oder unterbrechen.

Setzen Sie den Verstärker nicht unbefestigt ein. Wenn Sie den Verstärker nicht fachgerecht befestigen, kann dies zu Schäden oder Verletzungen führen, vor allem bei einem Unfall. Bei einem Unfall kann ein nicht befestigter Verstärker zu einem gefährlichen Projektil werden. Befestigen Sie den Verstärker nie an einer Stelle, an der er rass werden kann. Installieren Sie ihn so, dass die Kabel nicht unter Zug stehen. Verlegen Sie die Kabel so, dass sie auf keinen Fall gekratzt, gequetscht oder anderweitig beschädigt werden können.

Das +12V-Stromkabel muss möglichst nahe an der Batterie abgesichert werden, am besten weniger als 45 cm entfernt. Verwenden Sie die im Abschnitt Stromanschlüsse in dieser Anleitung aufgelisteten Sicherungen oder Trennschalter.

Wenn Sie die Sicherung an der Seite des Verstärkers wechseln müssen, ist diese mit einer ATC / MAXI-Sicherung der gleichen Größe zu ersetzen. Wenn Sie die richtige Größe nicht kennen, sehen Sie bitte im Abschnitt Stromanschlüsse in dieser Anleitung nach. Die Verwendung einer Sicherung mit höherer Spannung kann den Verstärker beschädigen und wird durch die Garantie nicht abgedeckt.

HINWEIS: Vergewissern Sie sich, dass alle Geräte im System ausgeschaltet sind, wenn Sie Verbindungen zu den Eingangsbuchsen oder Lautsprecherterminals herstellen oder unterbrechen. Prüfen Sie erst alle Kabelverbindungen, bevor Sie das System einschalten und die Lautstärke langsam anheben.

Die meisten Fahrzeuge können genug Strom für Systeme mit einem Verstärker liefern. Systeme mit mehr Verstärkern benötigen eventuell eine stärkere Batterie, Lichtmaschine oder den Einsatz eines Speicherkondensators. Wir empfehlen sehr, bei größeren Stereosystemen einen Directed Audio Essentials-Speicherkondensator und eine zusätzliche Batterie zu verwenden.

Orion Cobalt-Verstärker erzeugen im Normalbetrieb eine gewisse Wärmemenge. Vergewissern Sie sich, dass die Luftzirkulation um den Verstärker nicht behindert wird. Denken Sie daran, dass Badetücher, die Wäsche der letzten Woche, Schulbücher und Hausaufgaben, die man auf dem Verstärker stapelt, den Luftstrom nicht verbessern und selbst beschädigt werden können.

Schrittweise Installation

1. Schritt. Legen Sie den Einbauort des Verstärkers fest. Detaillierte Informationen hierzu finden Sie im Abschnitt Wahl der Einbaustelle in dieser Anleitung.
2. Schritt. Wählen Sie die Systemkonfiguration Ihres Verstärkers. Vorschläge hierzu finden Sie im Abschnitt Lautsprecheranschlüsse in dieser Anleitung.
3. Schritt. Verlegen Sie alle Kabel vom Verstärker zu den Lautsprechern, zum Autoradio und zur Batterie. Schließen Sie jetzt die Batterie noch nicht an. Verlegen Sie RCA-, Strom- und Lautsprecherkabel von den werkseitig installierten Stromkabeln entfernt, da diese Störungen verursachen können.
4. Schritt. Bohren Sie die Verstärker-Befestigungslöcher vor. Denken Sie nach, bevor Sie bohren. Benzintanks, Benzinleitungen und andere Hindernisse sind oft schwer zu sehen. Verwenden Sie einen Markierstift, um die Befestigungslöcher zu markieren, und bohren Sie diese mit einem standardmäßigen 1/8-Zoll-Bohrer vor.
5. Schritt. Installieren Sie den Verstärker. Stellen Sie sicher, dass der Verstärker auf einer ebenen Oberfläche installiert wird. Wenn dies nicht möglich ist, dürfen Sie die Schrauben nicht zu fest anziehen, damit weder das Chassis noch der Verstärker verbogen werden.
6. Schritt. Drehen Sie den Zündschlüssel auf die Aus-Position.
7. Schritt. Trennen Sie den Masseanschluss der Fahrzeugbatterie.
8. Schritt. Schließen Sie die Stromkabel an den Verstärker an (erst Erdung, dann 12 V(+) und REM).
9. Schritt. Schließen Sie die RCA- und Lautsprecherkabel an den Verstärker an. Prüfen Sie die Qualität der Lautsprecher- und Signalanschlüsse. Dies wird letztendlich die Leistung Ihres Orion Cobalt-Verstärkers bestimmen. Die Abschnitte Signaleingangs- und Ausgangspegelregler und Lautsprecheranschluss in dieser Anleitung enthalten die Anschlussanweisungen.
10. Schritt. Schließen Sie nach der Verbindung der Strom-, Lautsprecher- und RCA-Kabel den Masseanschluss wieder an die Batterie an.
11. Schritt. Crossover einstellen. Detaillierte Anweisungen finden Sie im Abschnitt Interne Crossover-Konfiguration in dieser Anleitung.
12. Schritt. Wenn Sie sichergestellt haben, dass alle Verbindungen und Einstellungen korrekt sind, installieren Sie die Sicherung in der Nähe der Fahrzeugbatterie und fahren mit dem Abschnitt Systemtest fort.

ACHTUNG! Überschreiten Sie nie die für den Verstärker empfohlene Sicherungsgröße. Ansonsten könnte die Garantie erlöschen und der Verstärker beschädigt werden.

EINRICHTUNG UND PROBLEMBEBEHUNG

Systemtest

Nach Abschluss der Installation müssen Sie das System testen. Dadurch stellen Sie einen langen, problemlosen Betrieb sicher. Folgen Sie beim Test Ihres Orion Cobalt-Systems bitte den unten stehenden Schritten.

1. Schritt. Prüfen Sie, ob alle Kabelanschlüsse korrekt und fest sind.
2. Schritt. Stellen Sie den Signalquellen-Lautstärkeregel ganz niedrig. Stellen Sie etwaige Tonregler auf die Neutralpositionen. Dazu gehört auch der Loudness-Regler.

3. Schritt. Stellen Sie die Pegelregler des Verstärkers auf die Minimalpositionen.
4. Schritt. Schalten Sie das Autoradio ein. Prüfen Sie, ob die Netz-LED an der Eingangsseite des Verstärkers aufleuchtet. Ist dies nicht der Fall, folgen Sie den Hinweisen in den Abschnitten Stromanschlüsse und Problemlösungen in dieser Anleitung.
5. Schritt. Wenn Sie ein nachgerüstetes Autoradio verwenden, drehen Sie die Pegelregler des Verstärkers etwa eine Vierteldrehung. Steigern Sie langsam die Lautstärke des Autoradios, so dass Sie den Systemsound hören können. Wenn Sie keinen Sound hören oder der Sound verzerrt klingt, schalten Sie das System sofort aus. Folgen Sie den Hinweisen in den Abschnitten Stromanschlüsse und Problemlösungen in dieser Anleitung, um die Installationsprobleme zu lösen.
6. Schritt. Prüfen Sie den Sound für jeden Kanal. Wenn aktive Crossover-Einheiten verwendet werden, prüfen Sie, dass der Sound vom Verstärker korrekt klingt. Bei der Verwendung aktiver Crossover-Einheiten für Mittel- und Hochtöner dürfen keine niedrigeren Crossover-Frequenzen als die empfohlenen verwendet werden. Wenn es Probleme mit der Systemkonfiguration gibt, folgen Sie den Anweisungen im Abschnitt Interne Crossover-Konfiguration, um diese zu beheben.
7. Schritt. Wenn der Sound klar und nicht verzerrt klingt, machen Sie mit den Anweisungen im Abschnitt Systemsound einstellen in dieser Anleitung weiter.

Systemsound einstellen

Nachdem Sie den Betrieb des Systems geprüft haben, stellen Sie den Systemsound ein. Sie tun dies, indem Sie die Pegelregler und die internen Crossover-Einheiten einstellen.

1. Schritt. Stellen Sie den Signalquellen-Lautstärkereger ganz niedrig. Stellen Sie etwaige Tonregler auf die Neutralpositionen. Dazu gehört auch der Loudness-Regler.
2. Schritt. Stellen Sie die Pegelregler des Verstärkers auf die Minimalpositionen.
3. Schritt. Wählen Sie dynamische Musik, die Ihnen gefällt, die Sie gut kennen und die Sie am häufigsten abspielen werden.
4. Schritt. Drehen Sie den Lautstärkereger des Autoradios auf den höchsten unverzerrten Pegel. Wenn Sie kein Testgerät haben, können Sie annehmen, dass dieser Punkt zwischen $\frac{3}{4}$ und der Maximallautstärke liegt, je nach Qualität des Autoradios. Prüfen Sie, ob Sie Verzerrungen hören können. Wenn Verzerrungen hörbar sind, senken Sie die Lautstärke des Autoradios, bis der Sound unverzerrt klingt. Lassen Sie den Lautstärkereger während der Systemeinstellung auf diesem Wert.
5. Schritt. Während Sie Ihre gewählte dynamische Musik anhören, drehen Sie den Pegelregler für den Mitteltonbereich höher, bis Sie etwas Verzerrung hören, und senken ihn dann wieder etwas ab, so dass die Verzerrung verschwindet. Je nach System können sich der Mittel- und Hochtönerausgang auf den gleichen Ausgangskanälen befinden.
6. Schritt. Drehen Sie den Pegelregler für den Hochtönerbereich höher, bis Sie etwas Verzerrung hören, und senken ihn dann wieder etwas ab, so dass die Verzerrung verschwindet. Je nach System können sich der Mittel- und Hochtönerausgang auf den gleichen Ausgangskanälen befinden.
7. Schritt. Führen Sie eine Feineinstellung des Pegels zwischen Mittel- und Hochtönern durch. Detaillierte Anweisungen finden Sie im Abschnitt Interne Crossover-Konfiguration in dieser Anleitung.
8. Schritt. Wiederholen Sie Schritte 5-7 für die hinteren Lautsprecher. Wenn Sie keine hinteren Lautsprecher haben, machen Sie mit Schritt 10 weiter.
9. Schritt. Legen Sie die Pegel zwischen den vorderen und hinteren Mittel- und Hochtönern fest, um die optimale Balance zwischen vorn/hinten zu erreichen.

10. Schritt. Drehen Sie den Pegelregler für den Tieftönerbereich höher, bis Sie etwas Verzerrung hören, und senken ihn dann wieder etwas ab, so dass die Verzerrung verschwindet.
11. Schritt. Führen Sie eine Feineinstellung des Pegels zwischen Satellitenlautsprechern und Tieftönern durch. Detaillierte Anweisungen finden Sie im Abschnitt Interne Crossover-Konfiguration in dieser Anleitung. Wenn Sie einen RGC-2 verwenden, müssen Sie den Basspegel des Tieftöners an die Klanganforderungen des Systems anpassen.
12. Schritt. Genießen Sie Ihr fantastisches Orion Cobalt-Soundsystem.

Problemlösungen

Symptom	Mögliche Ursache	Lösung
Kein Sound		
	Schwache oder fehlende Fern-einschaltung	Prüfen Sie die Ferneinschaltungsspannung am Spannungsverstärker und stellen Sie diese ggf. richtig ein.
	Sicherung durchgebrannt	Prüfen Sie das Stromkabel und etwaige Kurzschlüsse an Lautsprechern. Reparieren Sie das Kabel ggf. und wechseln Sie die Sicherung aus.
	Stromkabel nicht angeschlossen	Prüfen Sie das Stromkabel und die Erdungsanschlüsse und ersetzen Sie diese ggf.
	Audioeingang nicht angeschlossen	Prüfen Sie die RCA-Verbindungen und reparieren oder ersetzen Sie sie ggf.
	Lautsprecherkabel nicht angeschlossen	Prüfen Sie die Lautsprecherkabel und reparieren oder ersetzen Sie sie ggf.
	Lautsprecher defekt	Prüfen Sie das System mit Lautsprechern, die funktionieren, und reparieren oder ersetzen Sie ggf. die defekten Lautsprecher.
Audiosystem schaltet sich ein und aus		
	Der Überhitzungsschutz wird aktiviert, wenn die Kühlkörpertemperatur 50° C überschreitet.	Vergewissern Sie sich, dass für den Verstärker genügend Lüftung vorhanden ist und verbessern Sie ggf. die Lüftung.
	Lockerer oder schlecht funktionierender Audioeingang	Prüfen Sie die RCA-Verbindungen und reparieren oder ersetzen Sie sie ggf.
	Lockerer Stromanschluss	Prüfen Sie die Stromkabel und die Erdungsanschlüsse und ersetzen Sie diese ggf.
Verzerrter Sound		
	Verstärkerpegel-Empfindlichkeit ist zu hoch und überschreitet die maximale Belastbarkeit.	Verstärkung neu einstellen. Anweisungen hierzu finden Sie im Abschnitt Systemsound einstellen in dieser Anleitung.
	Lastimpedanz am Verstärker zu niedrig	Prüfen Sie die Lautsprecherimpedanz. Wenn sie unter 2 Ohm liegt, müssen Sie die Lautsprecher anders anschließen, um eine höhere Impedanz zu erreichen.
	Kurzschluss in Lautsprecherkabeln	Prüfen Sie die Lautsprecherkabel und reparieren oder ersetzen Sie sie ggf.

Lautsprecher nicht korrekt an Verstärker angeschlossen.	Prüfen Sie die Lautsprecherkabel und reparieren oder ersetzen Sie sie ggf. Detaillierte Anweisungen finden Sie im Abschnitt Lautsprecheranschlüsse in dieser Anleitung.
Interne Crossover-Einheit nicht richtig eingestellt	Crossover erneut einstellen. Detaillierte Anweisungen finden Sie im Abschnitt Interne Crossover-Konfiguration in dieser Anleitung.
Lautsprecher defekt	Prüfen Sie das System mit Lautsprechern, die funktionieren, und reparieren oder ersetzen Sie ggf. die defekten Lautsprecher.
Schlechte Basswiedergabe	
Lautsprecher wurden falsch gepolt angeschlossen, was tiefe Frequenzen schwächt	Polung der Lautsprecher prüfen und ggf. ändern.
Crossover falsch eingestellt	Crossovereinheiten neu einstellen. Detaillierte Anweisungen finden Sie im Abschnitt Interne Crossover-Konfiguration in dieser Anleitung.
Lastimpedanz zum Verstärker zu niedrig	Prüfen Sie die Lautsprecherimpedanz. Wenn sie unter 2 Ohm liegt, müssen Sie die Lautsprecher anders anschließen, um eine höhere Impedanz zu erreichen.
Batteriesicherung brennt durch	
Kurzschluss im Kabel oder falsche Verkabelung	Prüfen Sie die Stromkabel und die Erdungsanschlüsse und ersetzen Sie diese ggf.
Sicherung ist kleiner als empfohlen.	Durch Sicherung mit passender Größe ersetzen.
Iststrom überschreitet Sicherungsbelastbarkeit.	Prüfen Sie die Lautsprecherimpedanz. Wenn sie unter 2 Ohm liegt, müssen Sie die Lautsprecher anders anschließen, um eine höhere Impedanz zu erreichen.
Verstärkersicherung brennt durch.	
Sicherung ist kleiner als empfohlen.	Durch Sicherung mit passender Größe ersetzen.
Lastimpedanz zum Verstärker zu niedrig	Prüfen Sie die Lautsprecherimpedanz. Wenn sie unter 2 Ohm liegt, müssen Sie die Lautsprecher anders anschließen, um eine höhere Impedanz zu erreichen.
Lautsprecherausgänge haben Kurzschluss	Prüfen Sie das System mit Lautsprechern, die funktionieren, und reparieren oder ersetzen Sie ggf. die defekten Lautsprecher.
Iststrom überschreitet Sicherungsbelastbarkeit.	Prüfen Sie die Lautsprecherimpedanz. Wenn sie unter 2 Ohm liegt, müssen Sie die Lautsprecher anders anschließen, um eine höhere Impedanz zu erreichen.

DATEN

Verstärkerbereich	CO5001	CO8001
RMS-Leistung in Watt, 4 Ohm	175 x 1	300 x 1
RMS-Leistung in Watt, 2 Ohm	250 x 1	400 x1
Externer Brückenmodus	ja	ja
Fernverstärkungsfunktion	ja	ja
Verzerrung bei Nennleistung	< 0.9% THD+N	< 0.9% THD+N
Frequenzgang	20Hz bis 30kHz +0, -1dB	20Hz bis 30kHz +0, -1dB
Lineare Bandbreite	20Hz bis 20kHz ±3dB	20Hz bis 20kHz ±3dB
Dämpfungsfaktor	> 150	> 150
Eingangsempfindlichkeit	rms	rms
Eingangsimpedanz	80kΩ	80kΩ
Sicherungstyp	(2) 20 Amp ATC	(2) 30 Amp ATC
Abmessungen	29 x 20,6 x 5,3 cm	34 x 20,6 x 5,3 cm
Gewicht	2,9 kg	3,3 kg
Crossover-Bereich		
Tiefpass-Crossover	Stufenlos verstellbar 2. Stufe	Stufenlos verstellbar 2. Stufe
Tiefpass-Frequenzbereich	50Hz bis 500Hz	50Hz bis 500Hz

Kontinuierliche 2-Ohm-Last, 20 Hz bis 200 Hz, < 0,1 % Klirrfaktor, Eingangsspannung 13,8 V Gleichstrom

LAYOUT DEI PANNELLI TERMINALI

Pannello d'ingresso (figura 1)

1. **LED di alimentazione** - Quando è acceso indica che l'amplificatore è acceso.
2. **Ingresso di alto livello** - Serve a collegare l'uscita dell'altoparlante proveniente dall'autoradio; rileva automaticamente il segnale audio e accende l'amplificatore quando necessario; lo spegne automaticamente se non c'è segnale per un minuto.
3. **Uscite RCA** - Forniscono un segnale nell'intera gamma per agevolare la connessione con ulteriori amplificatori.
4. **Ingressi RCA** - Accettano il segnale RCA applicato da una sorgente audio, un preamplificatore o un equalizzatore.
5. **Comando guadagno** - È regolabile in continuo da un ingresso di 150 mV a uno di 8 V per ottenere la massima potenza di uscita.
6. **Comando fase** - Permette di regolare lo sfasamento e rende possibile il collegamento a ponte di più amplificatori.
7. **Selettore LPF o FULL** - Per selezionare il crossover passa-basso o nell'intera gamma.
8. **Selettore amplificazione bassi** - Permette di regolare il guadagno con tre incrementi (0 dB, 6 dB e 12 dB).
9. **Comando frequenza passa-basso** - Per regolare la frequenza di taglio del crossover.
10. **Jack di regolazione guadagno bassi a distanza** - Per collegare un comando RGC-2 (regolazione dei bassi a distanza).
11. **LED di stato** - Segnala eventuali condizioni di guasto dell'amplificatore; inoltre si accende brevemente durante la fase di silenziamento all'accensione.

Vedere lo schema a pagina 3

Pannello di uscita (figura 2)

1. **Connettori per altoparlante** - Accettano cavi di altoparlante di sezione massima pari a 3,31 mm² (12 AWG).
2. **Due fusibili ATC** - Proteggono l'amplificatore da eventuali sovracorrenti.
3. **Connettore di alimentazione** - Accetta un cavo di sezione massima pari a 21,1 mm² (4 AWG).
4. **Ingresso accensione a distanza (REM)** - Accende l'amplificatore quando si applica un segnale di 9 - 15 V+.
5. **Connettore di massa** - Accetta un cavo di sezione massima pari a 21,1 mm² (4 AWG).

Vedere lo schema a pagina 4

SPECIFICHE CEA

CO5001



Uscita di potenza: 175 watt (valore efficace) x 2 a 4 ohm e distorsione armonica totale + rumore (THD+N) < 1%
Rapporto segnale/rumore: -80 dBA (riferimento: 1 watt su 4 ohm)
Potenza aggiuntiva: 250 watt (valore efficace) x 1 a 2 ohm e THD+N < 1%

CO8001



Uscita di potenza: 300 watt (valore efficace) x 1 a 4 ohm e THD+N < 1%
Rapporto segnale/rumore: -75 dBA (riferimento: 1 watt su 4 ohm)
Potenza aggiuntiva: 400 watt (valore efficace) x 1 a 2 ohm e THD+N < 1%

CAVI DI LIVELLO ALTO

Non collegare i connettori d'ingresso di livello alto ai cavi di alimentazione o del segnale né alla massa dello chassis in quanto si possono danneggiare le uscite dell'unità di pilotaggio; questi connettori vanno collegati a uscite a livello di altoparlanti BTL o di massa (presenti sulla maggior parte delle unità di pilotaggio).

CONNETTORI DI LIVELLO ALTO

COLORE DEL CAVO	CONNESSIONE DI INGRESSO
Nero	Massa
Bianco/nero	Canale sinistro -
Bianco	Canale sinistro +
Grigio/nero	Canale destro -
Grigio	Canale destro +

IMPOSTAZIONI DELL'AMPLIFICATORE

Configurazione dei segnali d'ingresso e di uscita

La sezione d'ingresso dell'amplificatore consiste di uno sfasatore che imposta la configurazione dell'uscita, di comando del guadagno e degli ingressi RCA, e permette di adattare facilmente l'amplificatore alla maggior parte delle configurazioni dell'impianto.

Guadagno d'ingresso

Gli amplificatori Orion Cobalt CO5001 e CO8001 sono dotati di un circuito di regolazione del livello che consente di integrarli facilmente con qualsiasi sorgente audio. La sensibilità d'ingresso può essere regolata da 200 mV a 5 V. Consultare le sezioni Prova dell'impianto e Regolazione dell'audio dell'impianto per informazioni dettagliate sulla regolazione del guadagno.

Selettore della fase

- **0°** - Il segnale di uscita è in fase con quello d'ingresso.
- **180°** - Il canale di uscita è sfasato di 180° rispetto a quello d'ingresso. Questa impostazione è utile per invertire la fase dei subwoofer e migliorare quindi la configurazione dell'impianto nel veicolo; inoltre va adoperata quando si collegano a ponte due amplificatori allo stesso altoparlante.

Configurazioni delle uscite ausiliarie

Le uscite ausiliarie degli amplificatori Orion Cobalt permettono di espander agevolmente l'impianto senza limitazioni. Per applicare il segnale di una sorgente audio, un preamplificatore o un equalizzatore basta collegarlo agli ingressi RCA e collegare le uscite RCA al successivo amplificatore Orion Cobalt dell'impianto. Il segnale si propaga attraverso uno stadio buffer, per cui è possibile collegare in serie più amplificatori senza perdita di segnale né sovraccarico della sorgente audio. Si ottiene così il massimo livello all'uscita e si riduce al minimo il rischio di introdurre rumore nell'impianto.

Crossover interni

La sezione di crossover degli amplificatori Orion Cobalt CO5001 e CO8001 è regolabile in continuo ed è estremamente flessibile.

Quando si usano altoparlanti Orion Cobalt, deviazioni di minore entità dagli intervalli di frequenza suggeriti possono garantire risultati migliori, secondo la disposizione degli altoparlanti e l'acustica del veicolo. Impostando le frequenze di crossover a valori superiori a quelli suggeriti non si causano danni e si possono ottenere risultati acustici migliori secondo le prestazioni desiderate dall'impianto. Consultare il manuale degli altoparlanti per indicazioni sulla scelta delle frequenze di crossover adatte per l'impianto.

Crossover passa-basso

È un filtro attivo con pendenza del secondo ordine (12 dB a ottava) e frequenza di taglio variabile in continuo da 50 Hz a 500 Hz.

Regolazione dei bassi a distanza

Un apposito jack permette di regolare comodamente a distanza la sezione dell'amplificatore di guadagno alle basse frequenze, centrata a 44 Hz, mediante un comando RGC-2 che va collegato all'amplificatore mediante una minispina da 1/8 di pollice (3,2 mm). Il comando RGC-2 può essere installato nella parte anteriore del veicolo, come parte di un amplificatore per i subwoofer.

CABLAGGIO DELL'AMPLIFICATORE

Connessioni di alimentazione per i modelli Orion Cobalt CO5001 e CO8001

- Orion Cobalt CO5001, n. fusibili e portata: 2 x 20 ampere ATC / CO8001, n. fusibili e portata: 2 x 30 ampere ATC
- Il connettore di alimentazione accetta un cavo di sezione massima pari a 21,1 mm² (4 AWG).
- Per ottenere prestazioni ottimali è raccomandabile adoperare un cavo di alimentazione e uno di massa entrambi di sezione pari a 21,1 mm².
- Collegare il terminale da 12 V+ alla batteria attraverso il quadro fusibili. Questa connessione alimenta l'amplificatore a una tensione di +12 V.

- Il cavo di alimentazione deve essere protetto con un fusibile a una distanza dalla batteria non superiore a 45 cm.
- Mettere a massa l'amplificatore collegandone lo chassis a un punto di massa adeguato e quanto più vicino possibile all'amplificatore stesso.
- Collegare il terminale REM al cavo di accensione a distanza proveniente dalla sorgente audio. Questa connessione fornisce corrente a +12 V per l'accensione dell'amplificatore.
- Inserire un altro cavo di massa tra il terminale negativo della batteria e lo chassis.

Schema circuitale della connessione con gli altoparlanti - CO5001/CO8001

Gli amplificatori Orion Cobalt CO5001 e CO8001 hanno due terminali di uscita positivi e due negativi per agevolare la connessione degli altoparlanti con l'amplificatore. Dato che si tratta di amplificatori monofonici, i connettori degli altoparlanti sono collegati in parallelo internamente. Ciascun amplificatore è stabile con 2 ohm.

Vedere lo schema a pagina 6 (figura 3)

Cablaggio a ponte

Per consentire di eseguire il cablaggio a ponte su un carico costituito da un solo altoparlante, i modelli Orion Cobalt CO5001 e CO8001 possono essere cablati a ponte con un altro amplificatore dello stesso modello; a tal fine, portare il selettore di fase dell'amplificatore secondario (slave) dalla posizione 0 alla posizione 180, ossia opposta a quella sull'amplificatore principale (master). Consultare la sezione Selettore della fase.

Accertarsi che entrambi gli amplificatori abbiano impostazioni identiche eccetto quella della fase: il selettore di fase sull'amplificatore master deve essere nella posizione 0 e quello sull'amplificatore slave deve essere nella posizione 180. Per quanto riguarda le connessioni degli altoparlanti, collegare il terminale positivo (+) dell'altoparlante al terminale (+) dell'amplificatore master, uno dei terminali negativi dell'amplificatore master direttamente al corrispondente terminale negativo dell'amplificatore slave, e l'altro terminale positivo (+) dell'amplificatore slave al terminale negativo (-) dell'altoparlante. L'impedenza dell'altoparlante deve essere di almeno 4 ohm.

NOTA: per ottenere risultati ottimali, collegare entrambi i terminali negativi dell'amplificatore master a entrambi i terminali negativi dell'amplificatore slave mediante un cavo di sezione pari ad almeno 3,31 mm² (12 AWG).

Vedere lo schema a pagina 7 (figura 4)

INSTALLAZIONE DELL'AMPLIFICATORE

Scelta del punto di installazione

Il punto in cui collocare l'amplificatore dipende da numerosi fattori importanti. Il profilo ribassato degli amplificatori Orion Cobalt ne permette il fissaggio in molti punti che assicurano prestazioni soddisfacenti. Collocare sempre l'amplificatore in un punto in cui sia protetto dagli elementi climatici e su una superficie stabile e piatta.

NOTA: si suggerisce di non fissare gli amplificatori capovolti, in quanto possono subire un arresto termico prematuro.

ATTENZIONE! Non collocare mai un amplificatore nel vano motore; gli amplificatori non sono costruiti in modo da resistere alle condizioni avverse presenti in questo ambiente.

Abitacolo

Se si intende installare l'amplificatore nell'abitacolo, accertarsi che ci sia spazio adeguato per la ventilazione. Gli amplificatori possono essere collocati sotto i sedili. Se si monta un amplificatore sotto un sedile o un'area simile, lasciare una luce di almeno 2,5 centimetri intorno a esso per il raffreddamento.

Bagagliaio

L'installazione dell'amplificatore nel bagagliaio assicura prestazioni eccellenti se non si ostruisce il flusso dell'aria intorno al dissipatore termico dell'amplificatore. Per ottenere risultati ottimali, lasciare quanto più spazio libero possibile intorno all'amplificatore. Questo tipo di installazione garantisce il raffreddamento più efficace a causa dell'effetto di convezione dello chassis dell'amplificatore.

Precauzioni generali e suggerimenti per l'installazione

ATTENZIONE! Fare attenzione a praticare tagli o fori con il trapano in serbatoi o tubazioni del carburante, tubazioni dell'olio idraulico o di aspirazione oppure cavi elettrici quando si eseguono lavori sul veicolo.

Scollegare il cavo di massa del veicolo dalla batteria prima di collegare cavi ai terminali di alimentazione dell'impianto audio o di scollegarli da tali terminali.

Non usare l'amplificatore senza averlo prima fissato bene, altrimenti si possono causare danni o subire lesioni, particolarmente se accade un incidente. In caso di urto, un amplificatore non fissato può essere proiettato con violenza sui passeggeri. Non collocare mai l'amplificatore in un punto in cui potrebbe bagnarsi; fissarlo in modo che i cavi a cui è collegato non vengano tirati e disporli in modo che non vengano graffiati, compressi o danneggiati in qualunque altra maniera.

Il cavo di alimentazione a +12V deve essere protetto con un fusibile quanto più vicino possibile alla batteria e comunque a una distanza non maggiore di 45 cm. Usare un fusibile o interruttore automatico della portata indicata nella sezione Connessioni di alimentazione per i modelli Orion Cobalt CO5001 e CO8001.

Se occorre sostituire il fusibile inserito nel pannello laterale dell'amplificatore, sostituirlo con uno di tipo ATC / MAXI di portata identica a quella del fusibile in dotazione. Se non si è sicuri del valore giusto, vedere la sezione Connessioni di alimentazione per i modelli Orion Cobalt CO5001 e CO8001. L'utilizzo di un fusibile di portata più alta può causare danni all'amplificatore non coperti dalla garanzia.

NOTA: accertarsi che tutti i componenti dell'impianto siano spenti quando si collegano cavi ai terminali per gli altoparlanti o RCA d'ingresso o li si scollegano da tali terminali. Accendere l'impianto e aumentare lentamente il volume solo dopo aver verificato tutte le connessioni.

Gli impianti con un solo amplificatore possono essere alimentati dalla maggior parte degli impianti elettrici di autoveicoli, mentre quelli con più amplificatori possono richiedere una batteria di capacità maggiore, un alternatore o un condensatore di immagazzinaggio dell'energia elettrica. Per gli impianti stereo più grandi si suggerisce vivamente l'utilizzo di un condensatore di potenza Directed Audio Essentials con una batteria aggiuntiva.

Gli amplificatori Orion Cobalt generano una certa quantità di calore durante il normale fun-

zionamento. Accertarsi che l'area intorno all'amplificatore non sia ostruita, per consentire un'adeguata circolazione dell'aria. Tenere presente che teli da spiaggia, indumenti, libri o cartelle situati sopra l'amplificatore non migliorano il flusso dell'aria e possono danneggiarsi.

Procedura di installazione

- 1 Determinare l'ubicazione dell'amplificatore; per informazioni dettagliate consultare la sezione Scelta del punto di installazione.
- 2 Stabilire la configurazione dell'impianto in relazione all'amplificatore. Per suggerimenti vedere la sezione Schema circuitale della connessione con gli altoparlanti - CO5001/CO8001.
- 3 Disporre tutti i cavi dall'amplificatore agli altoparlanti, alla sorgente audio e alla batteria; non collegare ancora quest'ultima. Accertarsi che i cavi degli altoparlanti, di alimentazione e RCA siano lontani dai cavi dell'impianto e da quelli dell'impianto elettrico del veicolo, dato che possono introdurre facilmente rumore nell'impianto.
- 4 Praticare con un trapano i fori di fissaggio dell'amplificatore, prestando attenzione a evitare serbatoi e tubazioni di alimentazione e altri ostacoli, che possono essere non visibili. Per ottenere risultati ottimali contrassegnare con un marcatore i punti in cui eseguire i fori e impiegare una normale punta da 1/8 di pollice (3,2 mm).
- 5 Fissare l'amplificatore, accertandosi che sia collocato su una superficie piatta. Se ciò non è possibile, non serrare eccessivamente le viti, per evitare di deformare lo chassis dell'amplificatore.
- 6 Girare la chiave di accensione del veicolo sulla posizione Off.
- 7 Scollegare il terminale di massa della batteria del veicolo.
- 8 Collegare i cavi di alimentazione all'amplificatore (prima quello di massa, poi quelli da 12 V(+) e REM).
- 9 Collegare i cavi degli altoparlanti e RCA all'amplificatore. Verificare la qualità delle connessioni per il segnale e gli altoparlanti; da queste dipendono in ultima analisi le prestazioni dell'amplificatore Orion Cobalt. Per le istruzioni per il cablaggio consultare le sezioni Configurazione dei segnali d'ingresso e di uscita e Schema circuitale della connessione con gli altoparlanti - CO5001/CO8001.
- 10 Una volta completate le connessioni di alimentazione, degli altoparlanti e RCA, ricollegare il terminale di massa alla batteria.
- 11 Impostare i crossover; per istruzioni dettagliate consultare la sezione Crossover interni.
- 12 Una volta verificate tutte le connessioni e le impostazioni, installare il fusibile situato accanto alla batteria del veicolo e passare alla sezione Prova dell'impianto.

ATTENZIONE! Non utilizzare mai un fusibile di portata superiore a quella specificata per l'amplificatore. La mancata osservanza di questa precauzione annulla la garanzia e può danneggiare l'amplificatore.

MESSA A PUNTO E SOLUZIONE DEI PROBLEMI

Prova dell'impianto

Una volta completata l'installazione occorre provare l'impianto Orion Cobalt, per accertarsi che funzioni senza problemi. Procedere come segue.

1. Accertarsi che tutte le connessioni siano state eseguite correttamente e siano salde.
2. Abbassare al minimo il volume della sorgente audio e portare gli eventuali comandi dei toni – compreso quello della sonorità – sulla posizione di esclusione.
3. Portare i comandi di livello dell'amplificatore sulla posizione di livello minimo.
4. Accendere la sorgente audio e verificare che il LED di alimentazione, situato sul pannello d'ingresso dell'amplificatore, sia acceso; se non lo è, consultare le sezioni Connessioni di alimentazione per i modelli Orion Cobalt CO5001 e CO8001 e Soluzione dei problemi.
5. Se si usa una sorgente audio non originale, girare i comandi di livello dell'amplificatore di circa un quarto di giro. Aumentare lentamente il volume della sorgente audio in modo da poter udire l'uscita dell'impianto. Se non si sente niente o l'uscita è distorta, spegnere immediatamente l'impianto e consultare le sezioni Connessioni di alimentazione per i modelli Orion Cobalt CO5001 e CO8001 e Soluzione dei problemi per risolvere i problemi di installazione.
6. Accertarsi che l'uscita di ciascun canale sia corretta. Se i crossover attivi sono inseriti, verificare che ciascuna uscita dell'amplificatore sia corretta. Quando si usano crossover attivi con midrange e tweeter, non utilizzare frequenze di crossover più basse di quelle raccomandate. Se l'impianto non è configurato correttamente, consultare la sezione Crossover interni per risolvere il problema.
7. Se il suono è nitido e senza distorsioni, proseguire alla sezione Regolazione dell'audio dell'impianto.

Regolazione dell'audio dell'impianto

Va eseguita una volta verificato il funzionamento dell'impianto e comporta l'impostazione dei comandi di livello e la regolazione dei crossover interni.

1. Abbassare al minimo il volume della sorgente audio e portare gli eventuali comandi dei toni – compreso quello della sonorità – sulla posizione di esclusione.
2. Portare i comandi di livello dell'amplificatore sulla posizione di livello minimo.
3. Scegliere una musica con elevati contenuti dinamici, con la quale si ha familiarità e che sarà riprodotta spesso.
4. Aumentare il volume della sorgente audio al più alto livello di uscita che non causa distorsioni; se non si dispone di una strumentazione di prova, si raggiunge questo punto fra i 3/4 e il massimo volume, secondo la qualità della sorgente audio. Controllare se ci sono distorsioni udibili e in caso positivo, ridurre il volume della sorgente audio finché l'uscita non è più distorta; lasciare il comando del volume su questa posizione durante la messa a punto dell'impianto.
5. Mentre si ascolta la musica dinamica scelta, aumentare il livello corrispondente all'uscita del midrange finché non si sente una leggera distorsione, quindi girare il comando del livello in modo da non sentirla più. Secondo il tipo di impianto, l'uscita del midrange e quella del tweeter potrebbero essere sugli stessi canali di uscita.
6. Aumentare il livello corrispondente all'uscita del tweeter finché non si sente una leggera distorsione, quindi girare il comando del livello in modo da non sentirla più. Secondo il tipo di impianto, l'uscita del midrange e quella del tweeter potrebbero essere sugli stessi canali di uscita.
7. Regolare con precisione il livello di uscita tra il midrange e i tweeter; per istruzioni dettagliate consultare la sezione Crossover interni.
8. Ripetere le operazioni ai punti 5-7 per gli altoparlanti posteriori; se questi non sono presenti, passare al punto 10.
9. Impostare i livelli tra il midrange e i tweeter anteriori e posteriori in modo da bilanciare l'audio tra la sezione anteriore e quella posteriore.

10. Aumentare il livello corrispondente all'uscita del woofer finché non si sente una leggera distorsione, quindi girare il comando del livello in modo da non sentirla più.
11. Regolare con precisione il livello di uscita tra i satelliti e i woofer; per istruzioni dettagliate consultare la sezione Crossover interni. Se si usa un comando RGC-2, regolare il livello dei bassi del woofer per adattarlo ai requisiti acustici dell'impianto.
12. L'impianto audio Orion Cobalt è così pronto all'uso.

Soluzione dei problemi

Sintomo	Causa probabile	Intervento necessario
Uscita assente		
	Tensione di accensione a distanza bassa o nulla	Controllare il livello della tensione di accensione a distanza ed eseguire le riparazioni necessarie.
	Fusibile bruciato	Controllare l'integrità del cavo di alimentazione e se ci sono cortocircuiti in corrispondenza degli altoparlanti. Eseguire le riparazioni necessarie e sostituire il fusibile.
	Cavi di alimentazione non collegati	Controllare le connessioni di alimentazione e di massa ed eseguire le riparazioni o sostituzioni necessarie.
	Ingresso audio non collegato	Controllare le connessioni RCA ed eseguire le riparazioni o sostituzioni necessarie.
	Cavi degli altoparlanti non collegati	Controllare i cavi degli altoparlanti ed eseguire le riparazioni o sostituzioni necessarie.
	Altoparlanti guasti	Controllare l'impianto usando altoparlanti in buone condizioni e riparare o sostituire gli altoparlanti se necessario.
L'audio scompare ciclicamente		
	Il circuito di protezione termica si inserisce in quanto la temperatura del dissipatore termico dell'amplificatore supera i 50° C	Accertarsi che la circolazione dell'aria intorno all'amplificatore sia adeguata e se necessario migliorarla.
	Ingresso audio intermittente o scadente	Controllare le connessioni RCA ed eseguire le riparazioni o sostituzioni necessarie.
	Connessioni di alimentazione intermittenti	Controllare le connessioni di alimentazione e di massa ed eseguire le riparazioni o sostituzioni necessarie.
Uscita distorta		
	Sensibilità dell'amplificatore impostata su un livello troppo alto	Regolare il guadagno; per istruzioni dettagliate consultare la sezione Regolazione dell'audio dell'impianto.
	Impedenza di carico dell'amplificatore troppo bassa	Controllare l'impedenza di carico dell'amplificatore; se è minore di 2 ohm, modificare il cablaggio degli altoparlanti in modo da aumentarla.
	Cavi degli altoparlanti in cortocircuito	Controllare i cavi degli altoparlanti ed eseguire le riparazioni o sostituzioni necessarie.

Altoparlanti collegati all'amplificatore in modo sbagliato.	Controllare i cavi degli altoparlanti ed eseguire le riparazioni o sostituzioni necessarie; per istruzioni dettagliate consultare la sezione Schema circuitale della connessione con gli altoparlanti - CO5001/CO8001.
Crossover interni non impostati correttamente per gli altoparlanti	Reimpostare i crossover; per istruzioni dettagliate consultare la sezione Crossover interni.
Altoparlanti guasti	Controllare l'impianto usando altoparlanti in buone condizioni e riparare o sostituire gli altoparlanti se necessario.
Risposta ai bassi scadente	
Altoparlanti cablati con la polarità sbagliata e quindi cancellazione alle basse frequenze	Controllare la polarità degli altoparlanti e correggerla se necessario.
Crossover impostati in modo sbagliato	Reimpostare i crossover; per istruzioni dettagliate consultare la sezione Crossover interni.
Impedenza di carico dell'amplificatore troppo bassa	Controllare l'impedenza di carico dell'amplificatore; se è minore di 2 ohm, modificare il cablaggio degli altoparlanti in modo da aumentarla.
Fusibile della batteria bruciato	
Cortocircuito nel cavo di alimentazione o cablaggio sbagliato	Controllare le connessioni di alimentazione e di massa ed eseguire le riparazioni o sostituzioni necessarie.
Fusibile di portata minore di quella raccomandata	Sostituirlo con un fusibile della giusta portata.
Corrente effettiva maggiore della portata del fusibile	Controllare l'impedenza di carico dell'amplificatore; se è minore di 2 ohm, modificare il cablaggio degli altoparlanti in modo da aumentarla.
Fusibile dell'amplificatore bruciato	
Fusibile di portata minore di quella raccomandata	Sostituirlo con un fusibile della giusta portata.
Impedenza di carico dell'amplificatore troppo bassa	Controllare l'impedenza di carico dell'amplificatore; se è minore di 2 ohm, modificare il cablaggio degli altoparlanti in modo da aumentarla.
Altoparlante guasto con uscite in cortocircuito	Controllare l'impianto usando altoparlanti in buone condizioni e riparare o sostituire gli altoparlanti se necessario.
Corrente effettiva maggiore della portata del fusibile	Controllare l'impedenza di carico dell'amplificatore; se è minore di 2 ohm, modificare il cablaggio degli altoparlanti in modo da aumentarla.

DATI TECNICI

Sezione amplificatore	CO5001	CO8001
Uscita di potenza in watt (valore efficace), 4 ohm	175 x 1	300 x 1
Uscita di potenza in watt (valore efficace), 2 ohm	250 x 1	400 x1
Cablabile esternamente a ponte	Si	Si
Comando guadagno a distanza	Si	Si
Distorsione alla potenza nominale	< 0,9% di distorsione armonica totale + rumore	< 0,9% di distorsione armonica totale + rumore
Risposta in frequenza	Da 20Hz a 30kHz +0, -1dB	Da 20Hz a 30kHz +0, -1dB
Larghezza di banda lineare	Da 20Hz a 20kHz ±3dB	Da 20Hz a 20kHz ±3dB
Fattore di smorzamento	> 150	> 150
Sensibilità d'ingresso	rms	rms
Impedenza d'ingresso	80kΩ	80kΩ
Fusibili	(2) 20 ampere ATC	(2) 30 ampere ATC
Dimensioni	29 cm x 20,6 cm x 5,3 cm	34 cm x 20,6 cm x 5,3 cm
Peso	2,9 kg.	3,3 kg
Sezione crossover		
Crossover passa-basso	Variabile in continuo/ Secondo ordine	Variabile in continuo/ Secondo ordine
Intervallo frequenze passa-basso	50Hz a 500Hz	50Hz a 500Hz

Carico di 2Ω continuo da 20 Hz a 200 Hz, < 0,1% di distorsione armonica totale, con tensione d'ingresso pari a 13,8 V c.c.

LAYOUTS DOS PAINÉIS

Painel de entrada (figura 1)

1. **LED indicador de potência** – Quando aceso, indica que o amplificador está ligado.
2. **Entrada de alto nível** – Conecta a saída de alto-falante do rádio de fábrica ao amplificador. Também detecta automaticamente o sinal do rádio, liga o amplificador quando necessário e o desliga depois de 1 minuto sem receber sinal.
3. **Saídas RCA** – Proporcionam um sinal completo para permitir a fácil conexão a amplificadores adicionais.
4. **Entradas RCA** – Aceitam entrada RCA de uma unidade de origem, pré-amplificador ou equalizador.
5. **Controle de ganho** – Ajusta continuamente a entrada de 150 mV a 8 V para obter saída de potência plena.
6. **Chave de controle de fase** – Permite o ajuste da fase e possibilita a ligação de amplificadores em ponte.
7. **Chave LPF, FULL** – Seleciona o crossover passa-baixa ou o crossover pleno.
8. Chave de ampliação de graves – Ajusta o ganho de graves em três etapas (0 dB, 6 dB e 12 dB).
9. **Controle de frequência de crossover passa-baixa** – Ajusta a frequência do crossover.
10. **Tomada de ganho de graves remoto** – Para conexão de RGC-2 (controle de graves remoto).
11. **LED indicador de estado** – Indica qualquer condição de falha no amplificador. Também acende brevemente durante a fase de emudecimento do processo de ativação da unidade.

Consulte o diagrama na página 3

Painel de saída (figura 2)

1. **Conexões para alto-falantes** – Para cabos para alto-falantes com bitola de até 12 AWG.
2. **2 fusíveis ATC** – Protegem o amplificador contra situações de sobrecorrente.
3. **Conexões elétricas** – Para cabos de alimentação com bitola de até 4 AWG.
4. **Entrada de ativação remota REM** – Liga/desliga o amplificador ao receber um sinal comutado de 9 a 15V+.
5. **Conexão terra** – Para cabo de aterramento com bitola de até 4 AWG.

Consulte o diagrama na página 4

ESPECIFICAÇÕES DA CEA

CO5001



Potência de saída: 175 Watts RMS x 1 canal a 4 ohms e < 1% THD+N
Relação sinal a ruído: -80 dBA (referência 1 Watt em 4 ohms)
Potência adicional: 250 Watts RMS x 1 canal a 2 ohms e < 1% THD+N

CO8001



Potência de saída: 300 Watts RMS x 1 canal a 4 ohms e < 1% THD+N
Relação sinal a ruído: -75 dBA (referência 1 Watt em 4 ohms)
Potência adicional: 400 Watts RMS x 1 canal a 2 ohms e < 1% THD+N

LIGAÇÕES DE ALTO NÍVEL

Não conecte as conexões de entrada de alto nível à alimentação elétrica, sinais ou terra do chassi, pois isso poderá causar dano nas saídas da unidade principal. As entradas de alto nível foram projetadas para funcionar com saídas para alto-falante aterradas ou BTL (disponíveis na maioria das unidades principais).

CONEXÕES DE ALTO NÍVEL

COR DO CABO	CONEXÃO DE ENTRADA
Preto	Terra
Branco/Preto	Canal esquerdo -
Branco	Canal esquerdo +
Cinza/Preto	Canal direito -
Cinza	Canal direito +

AJUSTES DO AMPLIFICADOR

Configurações de entrada e saída dos sinais

A seção de entrada do amplificador consiste em uma chave de seleção de fase que determina a configuração da saída, os controles de ganho e as entradas RCA. A seção de entrada facilita a adaptação do amplificador à maioria das configurações de sistema.

Ganho de entrada

Os amplificadores Orion Cobalt CO5001 e CO8001 têm ajustes de nível que permitem sua fácil integração com qualquer unidade de origem de sinais. A sensibilidade da entrada pode ser ajustada de 200 mV a 5 V. Consulte as seções Como testar o sistema e Como ajustar o som do sistema deste manual para obter instruções detalhadas sobre como configurar o ganho.

Chave de controle de fase

- **0°** - deixa a saída inalterada. O sinal de saída fica em fase com o sinal de entrada.
- **180°** - inverte a saída. O canal é uma saída 180° da fase. Esta configuração é útil para inverter a fase dos subwoofers para melhorar a distribuição sonora em um veículo. Também é usada para ligar dois amplificadores em ponte a um só alto-falante.

Configurações das saídas auxiliares

As saídas auxiliares nos amplificadores Orion Cobalt oferecem fácil expansão ilimitada do sistema. Basta conectar os cabos RCA às entradas RCA e as saídas RCA ao próximo amplificador Orion Cobalt na sequência de sinais para encaminhar o sinal oriundo de uma unidade de origem, pré-amplificador ou equalizador. O sinal passa por um estágio de atenuação para que vários amplificadores possam ser conectados em margarina sem perda de sinal ou sobrecarga da unidade principal. Isso maximiza a saída do sinal e minimiza o potencial para ruído no sistema.

Crossover interno

A seção do crossover dos amplificadores Orion Cobalt CO5001 e CO8001 é continuamente variável e extremamente flexível.

Ao usar alto-falantes Orion Cobalt, pequenos desvios das faixas de frequência recomendadas podem proporcionar resultados superiores, dependendo das posições dos alto-falantes e da acústica do veículo. Ajustar as frequências de crossover acima da faixa recomendada não causará danos e pode proporcionar resultados sonoros superiores, dependendo das metas de desempenho do sistema. Consulte o manual do alto-falante para obter ajuda para escolher as frequências de crossover corretas para seu sistema.

Crossover passa-baixa

O crossover passa-baixa é ativo com uma curva de 2ª ordem (12 dB por oitava). O crossover passa-baixa é continuamente variável de 50 Hz a 500 Hz.

Operação remota de graves

A porta de operação remota de graves proporciona fácil acesso remoto à estrutura de ganho de graves interna do amplificador de potência. O ganho de graves está centralizado em 44 Hz. O RGC-2 conecta-se ao amplificador através do mini-plugue de 1/8". O RGC-2 pode ser instalado na frente do veículo para controlar o nível de ganho de graves do amplificador. O RGC-2 pode ser usado como um controle de nível de graves quando usado em um amplificador dedicado a subwoofers.

CONEXÃO DOS CABOS DO AMPLIFICADOR

Conexões elétricas do Orion Cobalt CO5001 e CO8001

- Tamanho dos fusíveis do Orion Cobalt CO5001: 2 x ATC de 20 A / Tamanho dos fusíveis do CO8001: 2 x ATC de 30 A
- As conexões elétricas podem ser feitas com cabos de bitola máxima de 4 AWG.
- Recomendamos cabos de alimentação e aterramento de 4 AWG para maximizar o desempenho.
- Conecte 12 V+ à bateria através da unidade de retenção dos fusíveis. Esta conexão fornece uma alimentação de +12 V ao amplificador.
- O cabo de alimentação deve ser conectado a um fusível a não mais de 45 cm de distância da bateria.

- Aterre o amplificador a uma boa conexão terra no chassi o mais próximo possível do amplificador.
- Conecte o terminal REM ao terminal de ativação remota da unidade principal. Esta conexão fornece uma corrente de +12 V para ligar o amplificador.
- Adicione cabo de aterramento adicional entre o terminal negativo da bateria e o chassi.

Esquema de conexão dos alto-falantes ao CO5001/CO8001

Os amplificadores Orion Cobalt CO5001 e CO8001 têm dois terminais de saída positivos e dois negativos para facilitar a conexão dos alto-falantes ao amplificador. Por serem amplificadores mono, os conectores dos alto-falantes têm ligação interna paralela. Cada amplificador é estável a 2Ω.

Consulte o diagrama na página 6 (figura 3)

Ligação em ponte

Para ligação em ponte a uma única carga de alto-falante, o Orion Cobalt CO5001 e o CO8001 podem ser ligados em ponte com outro amplificador do mesmo modelo. Para isso é preciso posicionar a chave de seleção de FASE do amplificador (escravo). Mova a chave de seleção de fase de 0 a 180, exatamente o oposto do amplificador mestre. Consulte a seção Chave de controle de fase deste manual.

Todos os ajustes dos dois amplificadores devem ser idênticos, exceto o da chave de controle de fase. A chave de controle de fase do amplificador mestre deve estar na posição 0 e a do amplificador escravo deve estar na posição 180. Para conectar o alto-falante, conecte o terminal positivo (+) do alto falante ao terminal positivo (+) do amplificador mestre. Conecte o terminal negativo (-) de alto-falante do amplificador mestre diretamente ao terminal negativo (-) de alto-falante do amplificador escravo. O terminal positivo (+) restante do amplificador escravo deve ser conectado ao terminal negativo (-) do alto-falante. A impedância do alto-falante não deve ser inferior a 4 ohms.

NOTA: Para obter melhores resultados, conecte os dois terminais negativos de alto-falante do amplificador mestre aos dois terminais negativos do amplificador escravo usando um cabo de bitola mínima de 12 AWG.

Consulte o diagrama na página 7 (figura 4)

INSTALAÇÃO DO AMPLIFICADOR

Escolha de locais de instalação

A localização do amplificador dependerá de vários fatores importantes. Devido ao baixo perfil dos amplificadores Orion Cobalt, existem muitos locais de instalação possíveis que produzirão desempenho de amplificação satisfatório. Sempre instale o amplificador em um local protegido. O amplificador também deve ser instalado em uma superfície plana e estável.

NOTA: Não recomendamos instalar os amplificadores de ponta-cabeça, pois isso pode resultar em desligamento prematuro devido ao sobreaquecimento.

ATENÇÃO! Não instale o amplificador no compartimento do motor. Os amplificadores não foram projetados para suportar o ambiente inóspito das condições ambientais externas.

Cabine de passageiros

Para instalar o amplificador na cabine de passageiros, certifique-se de que tenha ventilação adequada. Os amplificadores foram projetados para permitir que sejam instalados embaixo dos assentos. Ao instalar o amplificador embaixo de um assento ou área semelhante, mantenha um espaço mínimo de 2,5 cm ao redor do amplificador para permitir que haja ventilação adequada.

Porta-malas

A instalação do amplificador no porta-malas produz excelente desempenho, desde que o fluxo de ar ao redor do trocador de calor do amplificador não seja limitado. Para obter ótimos resultados, instale o amplificador com o máximo possível de espaço livre ao redor. Esse tipo de instalação produzirá melhor resfriamento da unidade devido ao efeito de convecção do chassi do amplificador.

Precauções gerais e sugestões de instalação

ATENÇÃO! Cuidado para não cortar nem perfurar tanques ou mangueiras de combustível, mangueiras de fluidos de freio, tubos de ventilação ou fiações elétricas ao trabalhar no veículo.

Desconecte o fio terra da bateria do veículo antes de fazer ou desfazer conexões aos terminais de alimentação elétrica do sistema de áudio.

Não use este amplificador sem que esteja firmemente instalado, pois poderá causar danos materiais ou pessoais, especialmente em caso de acidente. Um amplificador não instalado firmemente transforma-se em um projétil perigoso durante uma colisão. Não instale o amplificador onde possa ser molhado. Instale o amplificador de maneira a impedir que os cabos de conexão possam ser puxados. Passe os cabos por locais onde não possam ser raspados, esmagados ou danificados de qualquer maneira.

O cabo de alimentação de +12 V deve ser conectado ao fusível o mais próximo possível do terminal da bateria. A distância ideal é de, no máximo, 45 cm. Use um fusível ou disjuntor do tamanho recomendado na seção Conexões elétricas deste manual.

Se for necessário trocar o fusível conectado ao lado do amplificador, troque-o por um fusível ATC / MAXI do mesmo tamanho que o fornecido com o amplificador. Se não tiver certeza quanto ao valor correto, consulte os detalhes na seção Conexões elétricas deste manual. Usar um fusível para corrente mais alta pode resultar em dano ao amplificador não coberto pela garantia.

NOTA: Certifique-se de que todos os equipamentos do sistema estejam desligados ao fazer ou desfazer conexões aos terminais de entrada RCA ou do alto-falante. Ligue o sistema e aumente o volume aos poucos só depois de confirmar que todos os cabos estão conectados corretamente.

A maioria dos sistemas elétricos de automóveis tem capacidade para fornecer a alimentação elétrica necessária para sistemas com um único amplificador. Sistemas com mais de um amplificador podem exigir uma bateria com maior capacidade, um alternador ou um capacitor de armazenamento. Para sistemas estéreo maiores, recomendamos enfaticamente o uso de um capacitor de potência da Directed Audio Essentials com uma bateria adicional.

Os amplificadores Orion Cobalt geram uma certa quantidade de calor durante o funcionamento normal. Certifique-se de que a área ao redor do amplificador esteja livre de obstruções para permitir que o ar circule de maneira adequada. Não se esqueça de que artigos como toalhas de praia, roupas, livros e tarefas escolares colocados em cima do amplificador não melhoram o fluxo de ar e podem ser danificados.

Instalação passo a passo

- Etapa 1 Determine o local de instalação do amplificador. Consulte as informações detalhadas na seção Escolha de locais de instalação deste manual.
- Etapa 2 Decida qual configuração de sistema deseja usar para o amplificador. Consulte as sugestões de sistemas na seção Conexões para alto-falantes deste manual.
- Etapa 3 Posicione todos os cabos do amplificador até os alto-falantes, unidade de origem do sinal e bateria. Não conecte a bateria por enquanto. Mantenha os cabos RCA, os cabos de alimentação e para alto-falantes afastados do sistema e dos cabos elétricos instalados pela montadora do veículo, pois têm grande potencial para induzir ruído no sistema.
- Etapa 4 Perfure os orifícios de instalação do amplificador. "Pense antes de furar". Tanques de combustível e mangueiras de combustível, e outros obstáculos, podem não estar imediatamente visíveis. Para obter o melhor resultado possível, use uma caneta para marcar os orifícios de instalação e perfure-os usando uma broca padrão de 1/8" (3 mm).
- Etapa 5 Instale o amplificador. O amplificador deve ser instalado em uma superfície plana. Se isso não for possível, não aperte demasiadamente os parafusos para não deformar o chassi do amplificador.
- Etapa 6 Desligue a chave de ignição do veículo.
- Etapa 7 Desconecte o terminal terra da bateria do veículo.
- Etapa 8 Conecte os cabos de alimentação ao amplificador (primeiro o terra, depois o 12 V (+) e o REM).
- Etapa 9 Conecte os cabos RCA e dos alto-falantes ao amplificador. Verifique a qualidade das conexões dos alto-falantes e do sinal. Isso determinará o tipo de desempenho que o amplificador Orion Cobalt terá. Consulte as instruções de conexão nas seções Configurações de entrada e saída dos sinais e Conexões para alto-falantes deste manual.
- Etapa 10 Reconecte o terminal terra à bateria depois de completar as conexões da alimentação elétrica, alto-falantes e RCA.
- Etapa 11 Ajuste os crossovers. Consulte as instruções detalhadas na seção Crossover interno deste manual.
- Etapa 12 Quando estiver certo de que todas as conexões e ajustes estão corretos, instale o fusível localizado próximo da bateria do veículo e leia a seção Como testar o sistema deste manual.

ATENÇÃO! Nunca exceda o tamanho do fusível recomendado para este amplificador, pois isso poderá resultar no cancelamento da garantia e em possíveis danos ao amplificador.

INSTALAÇÃO E RESOLUÇÃO DE PROBLEMAS

Como testar o sistema

O sistema precisa ser testado após a conclusão da instalação. Isso ajudará a garantir muitos anos de funcionamento sem problemas. Consulte as etapas descritas abaixo ao testar o som do sistema Orion Cobalt.

- Etapa 1. Verifique todas as conexões dos cabos para confirmar se estão corretas e firmes.
- Etapa 2. Abaixe ao máximo o volume da origem do sinal. Coloque todos os controles de tons em suas posições neutras ou desativadas, incluindo o controle da intensidade

sonora.

- Etapa 3. Coloque os controles do nível do amplificador em suas posições mais baixas.
- Etapa 4. Ligue a unidade de origem do sinal. Verifique se o LED indicador de potência localizado no lado das conexões do amplificador está aceso. Se não estiver, consulte as instruções fornecidas nas seções Conexões elétricas e Sugestões para resolução de problemas deste manual.
- Etapa 5. Se a unidade de origem do sinal não for original de fábrica, gire os controles de nível do amplificador cerca de um quarto de volta. Aumente aos poucos o nível do volume da unidade de origem do sinal até conseguir ouvir o som no sistema. Se não ouvir som algum ou se o som estiver distorcido, desligue imediatamente o sistema. Consulte as seções Conexões elétricas e Sugestões para resolução de problemas deste manual para resolver problemas de instalação.
- Etapa 6. Verifique se a saída de cada canal está correta. Se crossovers ativos forem usados, verifique se cada saída do amplificador está correta. Ao usar crossovers ativos em alto-falantes de frequência média e tweeters, não use frequências de crossover mais baixas que as recomendadas. Se o sistema não estiver configurado corretamente, consulte a seção Crossover interno deste manual e implemente as medidas corretivas.
- Etapa 7. Se o som estiver claro e sem distorções, continue até a seção Como ajustar o som do sistema deste manual.

Como ajustar o som do sistema

Depois de verificar o funcionamento do sistema, ajuste o som. Para ajustar o som do sistema, basta ajustar os controles de níveis e os crossovers internos.

- Etapa 1 Abaixar ao máximo o volume da origem do sinal. Coloque todos os controles de tons em suas posições neutras ou desativadas, incluindo o controle da intensidade sonora.
- Etapa 2 Coloque os controles do nível do amplificador em suas posições mais baixas.
- Etapa 3 Escolha músicas que você conheça e goste, que tenham bastante variedade tonal, e que seja do tipo que será ouvido com mais frequência no sistema.
- Etapa 4 Aumente o volume da unidade de origem do sinal até o nível de reprodução mais elevado que não apresente distorção. Caso não tenha equipamentos de teste, este ponto se situa a cerca de 3/4 do volume máximo, dependendo da qualidade da unidade de origem do sinal. Tente detectar a presença de distorção acústica. Se ouvir alguma distorção, abaixe o volume da unidade de origem do sinal até o som deixar de apresentar distorção. Deixe o controle do volume nessa posição durante o ajuste do sistema.
- Etapa 5 Enquanto ouve a música dinâmica escolhida, aumente o volume correspondente aos sons da faixa média de frequências até ouvir uma leve distorção. Abaixar um pouco o volume para obter uma reprodução sem distorção. Dependendo do sistema, os sons produzidos pelos alto-falantes que reproduzem as frequências médias e pelo tweeter podem estar nos mesmos canais de saída.
- Etapa 6 Aumente o controle do volume de som do tweeter até ouvir uma leve distorção e, em seguida, abaixe um pouco o volume para obter uma reprodução sem distorção. Dependendo do sistema, os sons produzidos pelos alto-falantes que reproduzem as frequências médias e pelo tweeter podem estar nos mesmos canais de saída.
- Etapa 7 Faça o ajuste fino do nível de reprodução dos alto-falantes de frequência média e dos tweeters. Consulte as instruções detalhadas na seção Crossover interno deste manual.
- Etapa 8 Repita as etapas 5 a 7 para os alto-falantes traseiros. Caso não tenha alto-falantes traseiros, avance para a etapa 10.
- Etapa 9 Ajuste os níveis de reprodução dos alto-falantes de frequência média e os tweeters

frontais e traseiros para obter o equilíbrio perfeito do som.

Etapa 10 Aumente o controle do volume de som do woofer até ouvir uma leve distorção e, em seguida, abaixe um pouco o volume para obter uma reprodução sem distorção.

Etapa 11 Faça o ajuste fino do nível de saída entre os alto-falantes satélite e os woofers. Consulte as instruções detalhadas na seção Crossover interno deste manual. Caso esteja usando um RGC-2, ajuste o nível da saída de graves do woofer para que coincida com os requisitos sônicos do sistema.

Etapa 12 Desfrute de seu incrível sistema de som Orion Cobalt

Sugestões para resolução de problemas

Problema	Provável causa	Medida a ser tomada
Nenhum som		
	Acionamento remoto baixo ou inexistente	Verifique a tensão do acionamento remoto no amplificador e repare conforme necessário.
	Fusível queimado	Verifique a integridade do cabo de alimentação e se há algum curto-circuito nos alto-falantes. Repare o que for necessário e troque o fusível.
	Cabo de alimentação desconectado	Verifique as conexões do cabo de alimentação e do terra e repare ou troque o que for necessário.
	Entrada de áudio não conectada.	Verifique as conexões RCA e repare ou troque o que for necessário.
	Cabos dos alto-falantes desconectados	Verifique os cabos dos alto-falantes e repare ou troque o que for necessário.
	Alto-falante danificado	Verifique o sistema usando um alto-falante que funcione e, se necessário, repare ou troque os alto-falantes com problema
Áudio intermitente		
	A proteção térmica é ativada quando a temperatura do trocador de calor ultrapassa 50° C	Certifique-se de que haja ventilação apropriada para o amplificador e, se necessário, melhore a ventilação.
	Entrada de áudio solta ou de má qualidade	Verifique as conexões RCA e repare ou troque o que for necessário.
	Conexões da alimentação elétrica soltas	Verifique as conexões do cabo de alimentação e do terra e repare ou troque o que for necessário.
Som distorcido		
	O nível de sensibilidade do amplificador está muito alto e excede a capacidade máxima do amplificador	Reajuste o ganho. Consulte as informações detalhadas na seção Como ajustar o som do sistema deste manual.
	Carga de impedância ao amplificador muito baixa	Verifique a carga de impedância dos alto-falantes. Se estiver abaixo de 2 Ω, reconecte os alto-falantes para obter impedância mais alta.

Cabos dos alto-falantes em curto	Verifique os cabos dos alto-falantes e repare ou troque o que for necessário.
Alto-falantes não conectados corretamente ao amplificador.	Verifique os cabos dos alto-falantes e repare ou troque o que for necessário. Consulte as instruções detalhadas na seção Conexões para alto-falantes deste manual.
Crossover interno não ajustado corretamente para os alto-falantes	Reajuste os crossovers. Consulte as instruções detalhadas na seção Crossover interno deste manual.
Alto-falantes danificados	Verifique o sistema usando alto-falantes que funcionem e, se necessário, repare ou troque os alto-falantes com problema.
Reprodução de graves de baixa qualidade	
Alto-falantes conectados com polaridade incorreta, causando cancelamento em baixas frequências	Verifique a polaridade dos alto-falantes e repare o que for necessário.
Crossovers ajustados incorretamente	Reajuste os crossovers. Consulte as instruções detalhadas na seção Crossover interno deste manual.
Carga de impedância muito baixa no amplificador.	Verifique a carga de impedância dos alto-falantes. Se estiver abaixo de 2Ω , reconecte os alto-falantes para obter impedância mais alta. .
O fusível da bateria se queima	
Curto-circuito no cabo de alimentação ou conexão incorreta dos cabos.	Verifique as conexões do cabo de alimentação e do terra e repare ou troque o que for necessário.
O fusível usado é menor do que o recomendado.	Troque-o por um fusível do tamanho correto.
A corrente é maior que a capacidade do fusível.	Verifique a carga de impedância dos alto-falantes. Se estiver abaixo de 2Ω , reconecte os alto-falantes para obter impedância mais alta.
O fusível do amplificador se queima.	
O fusível usado é menor do que o recomendado.	Troque-o por um fusível do tamanho correto.
Carga de impedância muito baixa no amplificador.	Verifique a carga de impedância dos alto-falantes. Se estiver abaixo de 2Ω , reconecte os alto-falantes para obter impedância mais alta.
O alto-falante queima com saídas em curto	Verifique o sistema usando alto-falantes que funcionem e, se necessário, repare ou troque os alto-falantes com problema.
A corrente é maior que a capacidade do fusível.	Verifique a carga de impedância dos alto-falantes. Se estiver abaixo de 2Ω , reconecte os alto-falantes para obter impedância mais alta.

ESPECIFICAÇÕES

Seção do amplificador	CO5001	CO8001
Potência de saída em Watts RMS, 4 Ohms	175 x 1	300 x 1
Potência de saída em Watts RMS, 2 Ohms	250 x 1	400 x1
Pode ser conectado em ponte externa	sim	sim
Função de ganho remoto	sim	sim
Distorção no nível de potência nominal	< 0.9% THD+N	< 0.9% THD+N
Resposta de frequência	20Hz a 30kHz +0, -1dB	20Hz a 30kHz +0, -1dB
Largura de banda linear	20Hz a 20kHz ±3dB	20Hz a 20kHz ±3dB
Fator de amortecimento	> 150	> 150
Sensibilidade de entrada	rms	rms
Impedância de entrada	80kΩ	80kΩ
Tipo de fusível	(2) ATC de 20 A	(2) ATC de 30 A
Dimensões	29 cm x 20,6 cm x 5,3 cm	34 cm x 20,6 cm x 5,3 cm
Peso	2,9 kg	3,3 kg
Seção do crossover		
Crossover passa-baixa	Continuamente variável/ Segunda ordem	Continuamente variável/ Segunda ordem
Faixa de frequência passa-baixa	50 Hz a 500 Hz	50Hz a 500Hz

Carga contínua de 2Ω, 20 Hz a 200 Hz, < 0,1% THD, com tensão de entrada a 13,8 VCC.

WARRANTY



LIMITED ONE-YEAR CONSUMER WARRANTY/*LIMITED TWO-YEAR CONSUMER WARRANTY FOR AUTHORIZED DIRECTED DEALER PURCHASE & INSTALLATION

Directed Electronics (herein "Directed") promises to the original purchaser of the subwoofer or amplifier, as applicable (herein "Unit" or "Product"), to repair or replace with a new or refurbished Unit (at Directed's sole and absolute discretion) should the Unit prove to be defective in workmanship or material under normal use, for a period of *two-years from the date of purchase from the authorized Directed dealer PROVIDED the Unit was purchased and installed by an authorized Directed dealer. During this *two-year period, there will be no charge for the repair or replacement PROVIDED the Unit is returned to Directed (DO NOT RETURN THE ENTIRE ENCLOSURE. PLEASE RETURN THE WARRANTIED UNIT ONLY), shipping prepaid, along with the required proof of installation, the bill of sale or other dated proof of purchase, and the consumer's contact information. If the Unit is installed by anyone other than an authorized Directed dealer, the warranty period will be one-year from the date of purchase. This warranty is non-transferable and does not apply to any Unit that has been modified or used in a manner contrary to its intended purpose, and does not cover damage to the Unit caused by installation or removal of the Unit. During this one-year period, there will be no charge for the repair or replacement PROVIDED the Unit is returned to Directed, shipping pre-paid, along with the bill of sale or other dated proof of purchase and the consumer's contact information. This warranty is void if the product has been damaged by accident or unreasonable use, neglect, improper service or other causes not arising out of defects in materials or construction. This warranty does not cover the elimination of externally generated static or noise, or the correction of antenna problems or weak reception, damage to speakers, accessories, electrical systems, cosmetic damage or damage due to negligence, misuse, failure to follow operating instructions, accidental spills or customer applied cleaners, damage due to environmental causes such as floods, airborne fallout, chemicals, salt, hail, lightning or extreme temperatures, damage due to accidents, road hazards, fire, theft, loss or vandalism, damage due to improper connection to equipment of another manufacturer, modification of existing equipment, or Product which has been opened or tampered for any reason. Units which are found to be damaged by abuse resulting in thermally damaged voice coils are not covered by this warranty but may be replaced at the absolute and sole discretion of Directed. Unit must be returned to Directed (DO NOT RETURN THE ENTIRE ENCLOSURE. THE UNIT ENCLOSURE IS COVERED BY A SEPARATE 90-DAY LIMITED CONSUMER WARRANTY. PLEASE ONLY RETURN THE WARRANTIED UNIT UNLESS A WARRANTY CLAIM IS BEING MADE FOR THE ENCLOSURE.), postage pre-paid, with bill of sale or other dated proof of purchase bearing the following information: consumer's name, telephone number, and address, authorized dealer's name and address, and product description. Unit must be returned to the following address: ATTN: WARRANTY DEPARTMENT, Directed Electronics , 1 Viper Way, Vista, CA 92081. Note: This warranty does not cover labor costs for the removal and/or reinstallation of the Unit. IN ORDER FOR THE TWO-YEAR WARRANTY TO BE VALID, YOUR UNIT MUST BE SHIPPED WITH PROOF OF INSTALLATION BY AN AUTHORIZED DIRECTED DEALER. ALL UNITS RECEIVED BY DIRECTED FOR WARRANTY REPAIR WITHOUT PROOF OF DIRECTED DEALER INSTALLATION AND PURCHASE WILL BE COVERED BY THE LIMITED 1 YEAR WARRANTY.

BY PURCHASING THIS PRODUCT, ALL WARRANTIES INCLUDING BUT NOT LIMITED TO EXPRESS WARRANTY, IMPLIED WARRANTY, WARRANTY OF MERCHANTABILITY, FITNESS FOR PARTICULAR PURPOSE, AND WARRANTY OF NON-INFRINGEMENT OF INTELLECTUAL PROPERTY ARE EXPRESSLY EXCLUDED TO THE MAXIMUM EXTENT ALLOWED BY LAW, AND DIRECTED NEITHER ASSUMES NOR AUTHORIZES ANY PERSON TO ASSUME FOR IT ANY LIABILITY IN CONNECTION WITH THE SALE OF THE PRODUCT. DIRECTED HAS ABSOLUTELY NO LIABILITY FOR ANY AND ALL ACTS OF THIRD PARTIES INCLUDING ITS AUTHORIZED DEALERS OR INSTALLERS. IN NO EVENT WILL DIRECTED BE LIABLE FOR ANY INCIDENTAL, SPECIAL OR CONSEQUENTIAL DAMAGES (INCLUDING LOSS OF PROFITS). BY PURCHASING THIS PRODUCT, THE CONSUMER AGREES AND CONSENTS THAT ALL DISPUTES BETWEEN THE CONSUMER AND DIRECTED SHALL BE RESOLVED IN ACCORDANCE WITH CALIFORNIA LAWS IN SAN DIEGO COUNTY, CALIFORNIA. This warranty is only valid for sale of Product within the United States of America. Product sold outside of the United States of America is sold "AS-IS," and shall have NO WARRANTY, express or implied. Some states do not allow limitation on how long an implied warranty lasts. In such states, the limitation or exclusions of this Limited Warranty may not apply. Some states do not allow the exclusion or limitation of incidental or consequential damages. In such states, the exclusion or limitation of this Limited Warranty may not apply to you. This Limited Warranty gives you specific legal rights, and you may have other rights which vary from state to state. 920-0033 04-07

For more information on Orion products please visit www.orioncaraudio.com



ISO 9001 registered company

Directed Electronics is an ISO 9001 registered company.

Directed Electronics is committed to delivering world class quality products and services that excite and delight our customers.

distributed by
Directed
ELECTRONICS
Vista, CA 92081
DIRECTED.COM